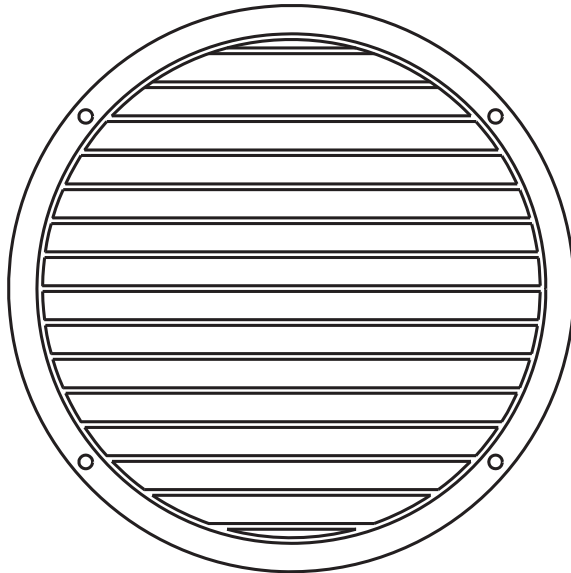




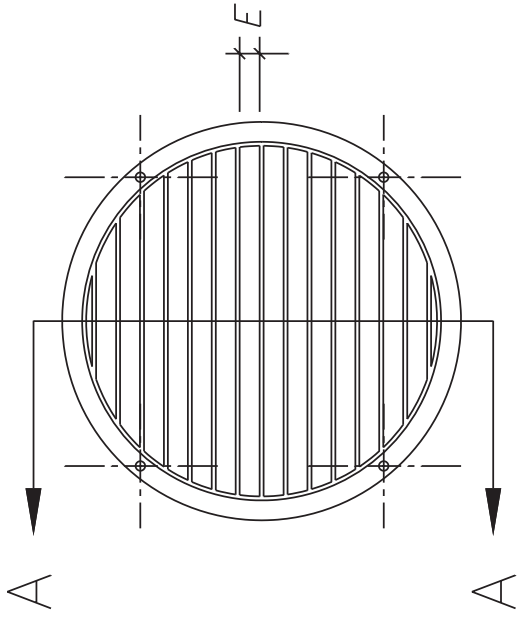
771 International Drive
Franklin, IN 46131
Phone: 317-346-4110
Fax: 317-346-4109
www.drainagesolutionsinc.com



HEAVY DUTY STEEL GRATES FOR PLASTIC PIPE

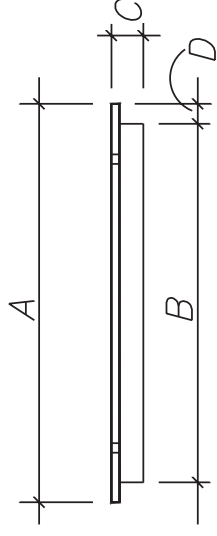
- ***Standard Sizes 4" - 48"***
- ***Available in black or green***
- ***Most orders shipped within 48 hours***
- ***More square inches of open area than most plastic or cast iron grates***

Manufactured by U.S. Steel



PLAN VIEW

NO SCALE



SECTION "A-A"

NO SCALE

SIZE	PART #	A	B	C	D	E	WEIGHT	OPEN AREA SQ. INCHES	# BOLT HOLES
4"	USS4*	5"	3 1/4"	7/8"	7/8"	1"	2 lbs.	5.04	6
6"	USS6*	7"	5 1/4"	7/8"	7/8"	1"	3 lbs.	13.87	6
8"	USS8*	9 3/8"	7 3/8"	1"	1"	1"	4 lbs.	30.53	6
10"	USS10*	11 1/2"	9 3/8"	1 1/16"	1 1/16"	1"	7 lbs.	49.01	6
12"	USS12*	13 1/2"	11 3/8"	1 1/16"	1 1/16"	1"	10 lbs.	72.37	6
15"	USS15*	17 1/16"	14 7/16"	1 5/16"	1 5/16"	1"	18 lbs.	97.81	8
18"	USS18*	20 3/16"	17 9/16"	1 5/16"	1 5/16"	1"	26 lbs.	146.99	8
24"	USS24*	26 3/16"	23 9/16"	1 5/16"	1 5/16"	1"	42 lbs.	256.16	12
30"	USS30*	33 1/8"	29 5/8"	1 3/4"	1 3/4"	1"	62 lbs.	422.98	16
36"	USS36*	39 3/16"	35 7/16"	1 3/4"	1 3/4"	1"	95 lbs.	637.51	16
42"	USS42*	45 3/16"	41 7/16"	1 3/4"	1 3/4"	1"	136 lbs.	808.56	24
48"	USS48*	51 3/16"	47 7/16"	1 3/4"	1 3/4"	1"	176 lbs.	1092.13	24

*Denotes color designation, add to part # B = Black or G = Green
 3 Lag bolts included with grate
 15" - 48" grates have cross bars for added strength