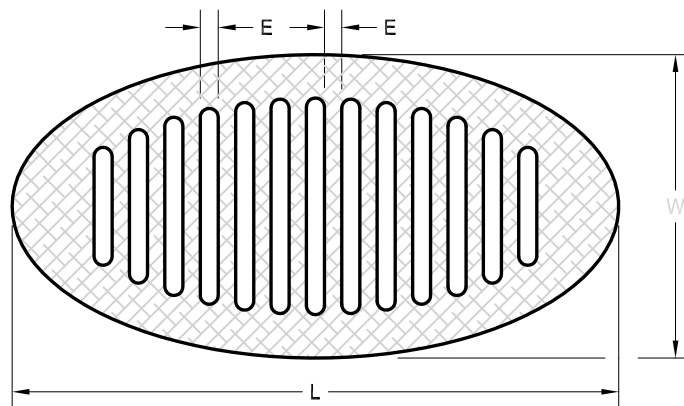
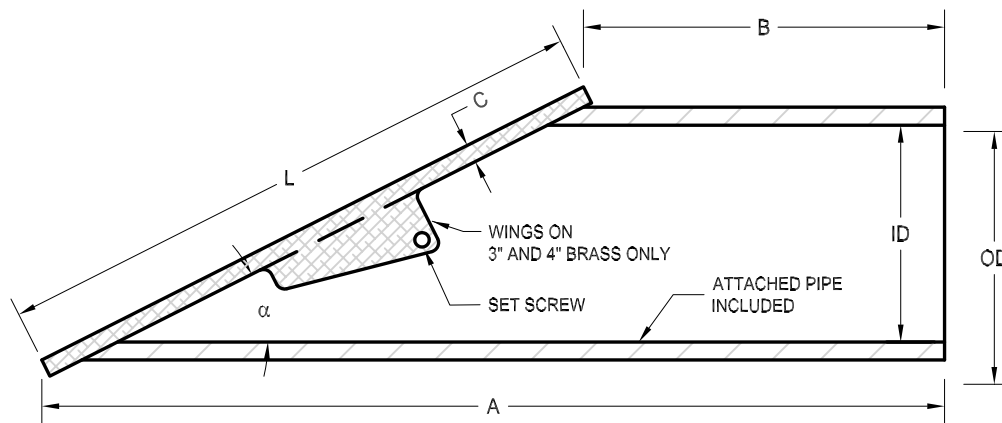




**MITERED DRAIN™**  
INCORPORATED

P.O. Box 1556  
Windsor, California 95492  
(707)620-0606  
(707)620-0607 fax  
email: [info@miteredrain.com](mailto:info@miteredrain.com)  
<http://www.miteredrain.com>



Mitered Drain™ (pat. pending)

**DIMENSION TABLE \***

PIPE SIZE	SLOPE	MODEL NO.	GRATE MATERIAL	ATTACHED MITERED PIPE MATERIAL	A(in.)	B(in.)	C(in.)	ID(in.)	OD(in.)	E(in.)	L(in.)	W (in.)	$\alpha$	APPROX. WEIGHT (lbs.)	AREA OF GRATE OPENING (sq. in.)
3"	2:1	3MD2B	BRASS	PVC Sch. 40	12	5	0.25	3.03	3.5	0.25	8.4	4.2	26.5°	3	7
3"	3:1	3MD3B	BRASS	PVC Sch. 40	16	5	0.31	3.03	3.5	0.28	12	4.5	18.5°	5	9
4"	3:1	4MD3B	BRASS	PVC Sch. 40	20	6	0.31	3.99	4.5	0.28	15.3	5.5	18.5°	12	17
3"	3:1	3MD3P-G	GRAY HDPE	PVC Sch. 80	15	4	0.375	2.85	3.5	0.375	11.6	4.0	18.5°	2	10.4
3"	3:1	3MD3P-B	BLACK HDPE	PVC Sch. 80	15	4	0.375	2.85	3.5	0.375	11.6	4.0	18.5°	2	10.4
4"	3:1	4MD3P-G	GRAY HDPE	PVC Sch. 80	18.5	4.5	0.375	3.77	4.5	0.375	14.7	5.0	18.5°	3.5	17.9
4"	3:1	4MD3P-B	BLACK HDPE	PVC Sch. 80	18.5	4.5	0.375	3.77	4.5	0.375	14.7	5.0	18.5°	3.5	17.9
6"	3:1	6MD3P	GRAY HDPE	C900-CL 200	29	7.5	0.75	5.85	6.9	0.50	22.4	7.5	18.5°	13	41.9
8"	3:1	8MD3P	GRAY HDPE	C900-CL 150	37	9	0.75	7.97	9.1	0.75	29.3	9.7	18.5°	22	76.7
12"	3:1	12MD3P	GRAY HDPE	C900-CL 150	52	12	0.75	11.63	13.2	1.0	42.5	14	18.5°	60	165.1

\* ALL DIMENSIONS ARE IN INCHES AND ALL WEIGHTS ARE IN POUNDS, AND MAY VARY.

**BASIC SPECIFICATIONS**

Brass grates are made of copper alloy No. 836.  
HDPE grates have UV inhibitor.  
Set screws are type 300 stainless steel.  
Not recommended for traffic loads. Made in the U.S.A.