

1" PVC ANTI-SIPHON  
PIPE ADAPTER

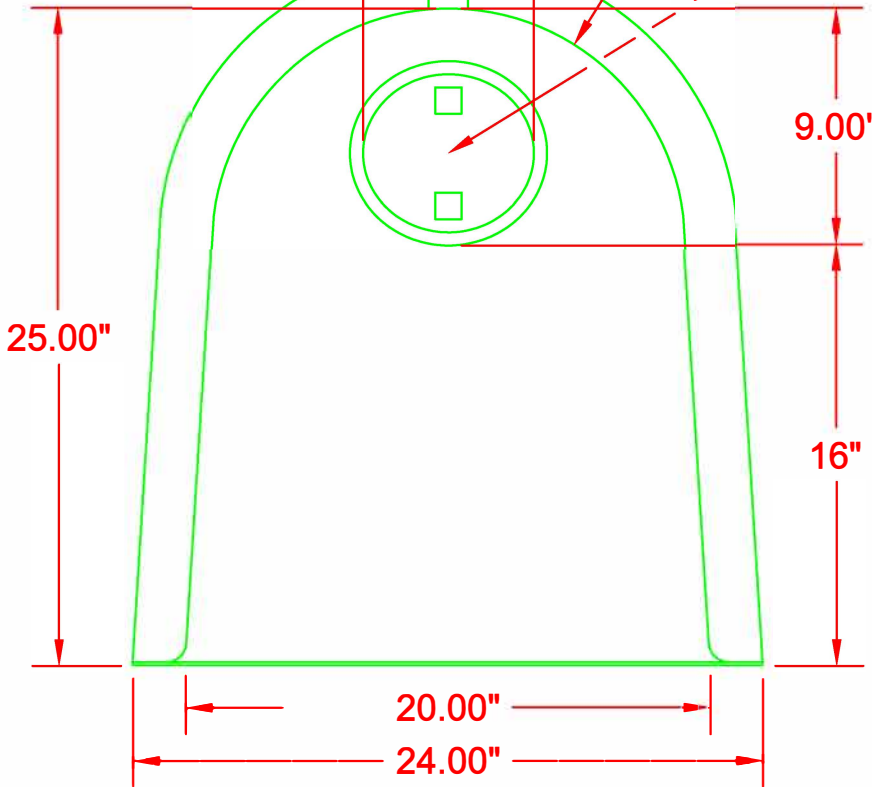
6.50"

Ø22.00"

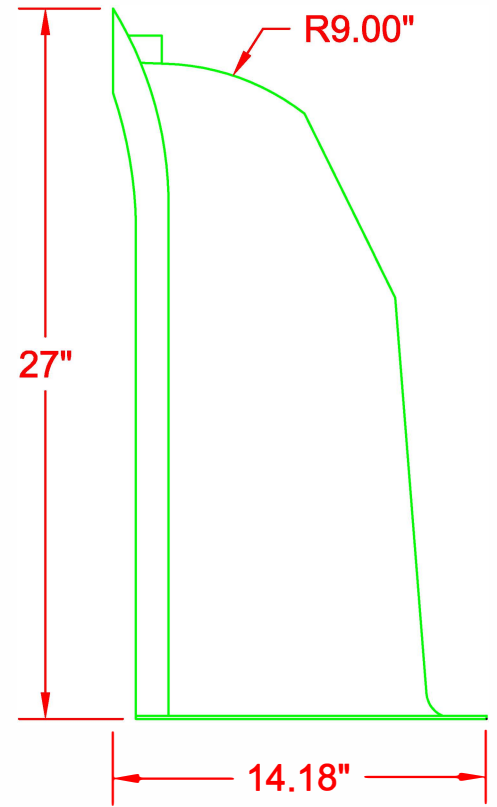
Ø18.00"

REMOVABLE WATERTIGHT  
ACCESS PORT, 6" OPENING

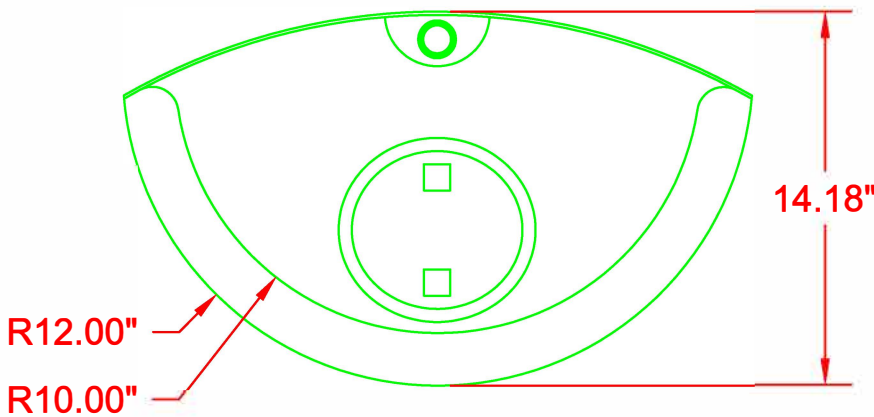
R9.00"



FRONT



SIDE



PLAN

U.S. PATENT #6126817 ADDITIONAL PATENTS PENDING

DESIGNED TO FIT  
48"-60" DIAM.  
STRUCTURES

**BMP, INC.**

53 MT. ARCHER ROAD, LYME, CT. 06371  
(800) 504-8008 FAX: (860)434-3195



(317) 346-4110  
www.drainagesolutionsinc.com

DESCRIPTION	DATE	SCALE
18R SNOUT OIL & DEBRIS STOP	09/06/99	NONE
DRAWING NUMBER		18R