

Rat Guards™

Avoid irritating and costly plugged drainage systems with stainless steel Rat Guards and zinc dichromate-plated mild steel Rat Guards.

Rat Guard, Stainless Steel

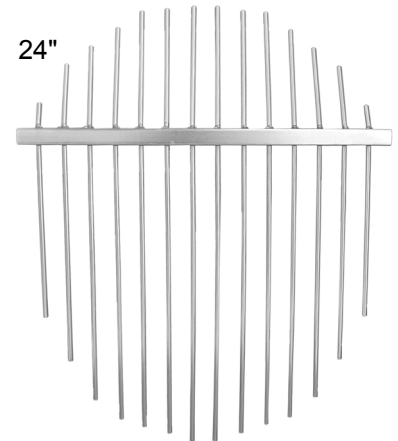
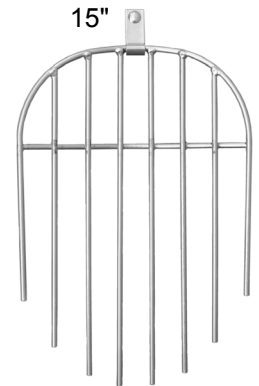
- ◆ Stainless steel material and hardware provides extended life.
- ◆ Resists rust and corrosion.
- ◆ Easy to install.
- ◆ 18" and 24" Rat Guards are held in place with a steel rod (included) which extends through the frame and then through the pipe. The rod extends approximately 1" on either side of frame.



Rat Guard, Mild Steel

- ◆ Zinc dichromate plating resists corrosion.
- ◆ Easy to install. Position far enough in the pipe to allow it to swivel up and let trash pass without exposing the Rat Guard beyond the pipe.
- ◆ 18" through 60" Rat Guards are held in place with a steel rod (included) which extends through the frame and then through the pipe. Rod extends approximately 1" on either side of frame.

All bars are MIG welded on both sides.



Size	Diameter of Steel Frame & Center Bars	Approx. Bar Spacing	Steel Strap Size	Bolt Size
4"	1/4"	1"	1/8" x 3/4"	1/4" x 1 1/4"
6"	1/4"	1.04"	1/8" x 3/4"	1/4" x 1 1/4"
8"	1/4"	1.06"	1/8" x 3/4"	1/4" x 1 1/4"
10"	5/16"	1.17"	1/8" x 1"	5/16" x 1 1/2"
12"	5/16"	1"	1/8" x 1"	5/16" x 1 1/2"
15"	5/16"	1.38"	1/8" x 1"	5/16" x 1 1/2"
Size	Diameter of Center Bars	Approx. Bar Spacing	Square Steel Frame	Steel Rod Size
18"	5/16"	1.19"	3/4"	3/8"
21"	5/16"	1.19"	3/4"	3/8"
24"	5/16"	1.19"	1"	3/8"
30"	5/16"	1.19"	1"	3/8"
36"	5/16"	1.19"	1"	3/8"
42"	1/2"	1"	3/4" / 1"	1/2"
48"	1/2"	1"	3/4" / 1"	1/2"
54"	1/2"	1.5"	1 1/4" / 1 1/2"	1/2"
60"	1/2"	1.5"	1 1/4" / 1 1/2"	1/2"