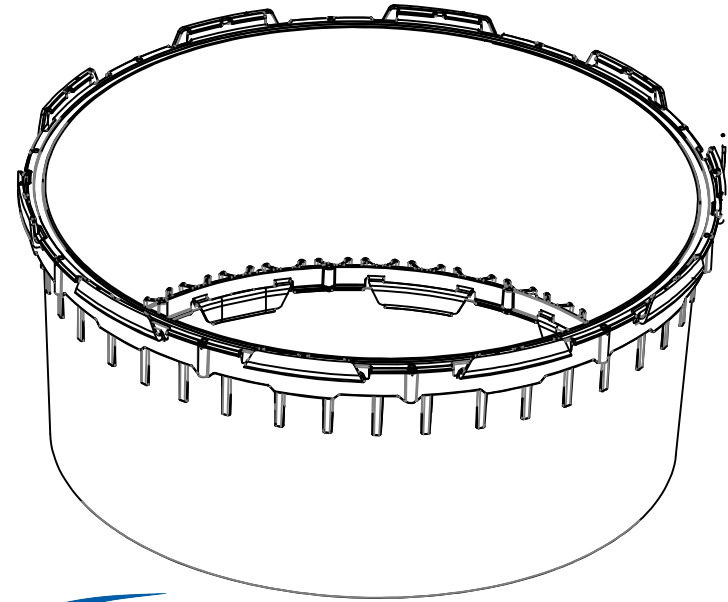
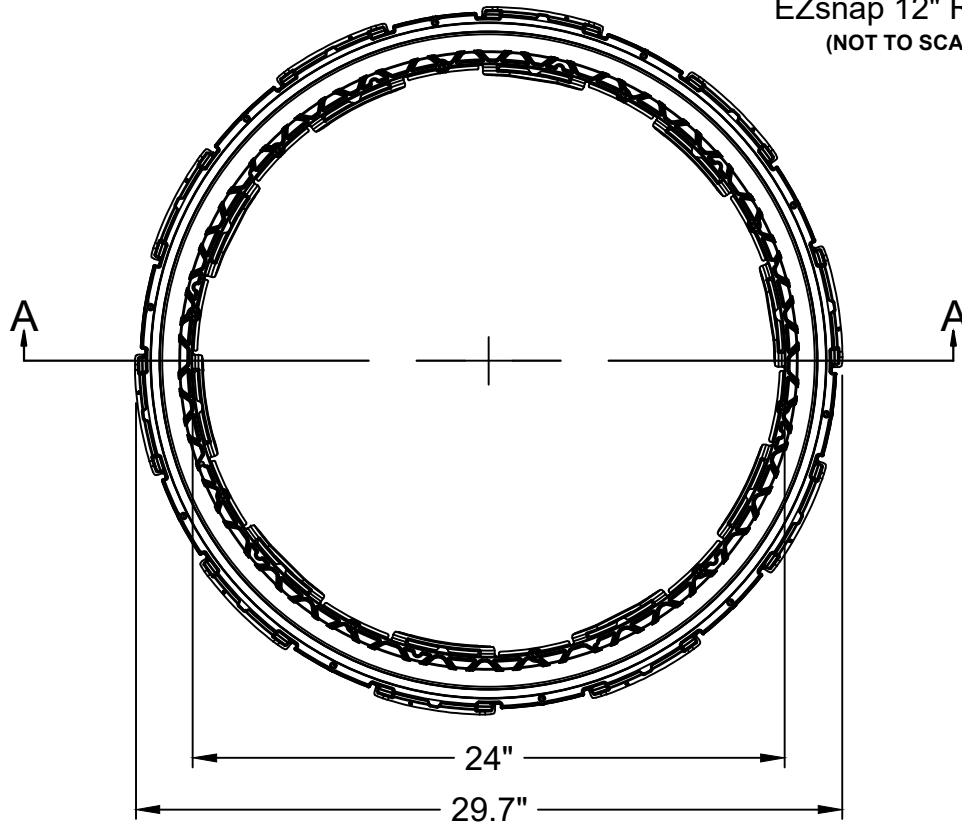


Q:\Technical Resources New\02--ISI\_PRODUCTS\15 - RISERS\EZsnap\Archived\EZsnap Product Specifications

# INFILTRATOR WATER TECHNOLOGIES

## EZsnap 12" RISER

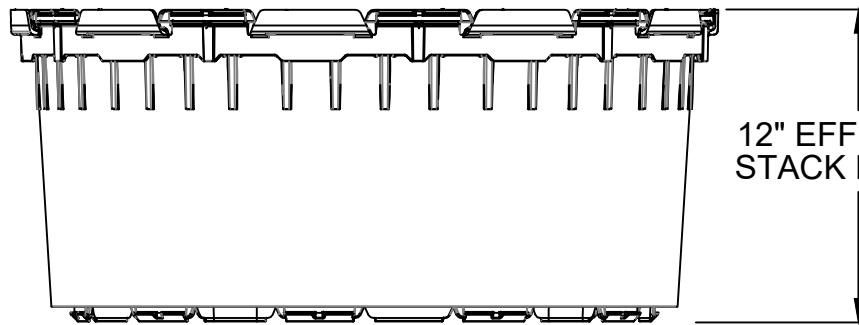
(NOT TO SCALE)



**DRAINAGE  
SOLUTIONS, INC**

(317) 346-4110

[www.drainagesolutionsinc.com](http://www.drainagesolutionsinc.com)



SECTION A-A



INFILTRATOR WATER TECHNOLOGIES  
4 Business Park Rd, Old Saybrook, CT 06475  
(800) 221-4436

12" EZsnap RISER  
SNAPRIS - 2412

|                     |                  |
|---------------------|------------------|
| Drawn by: EMB       | Date: 01/25/2017 |
| Scale: NOT TO SCALE | Checked by: DFH  |
|                     | Sheet: 1 of 1    |