

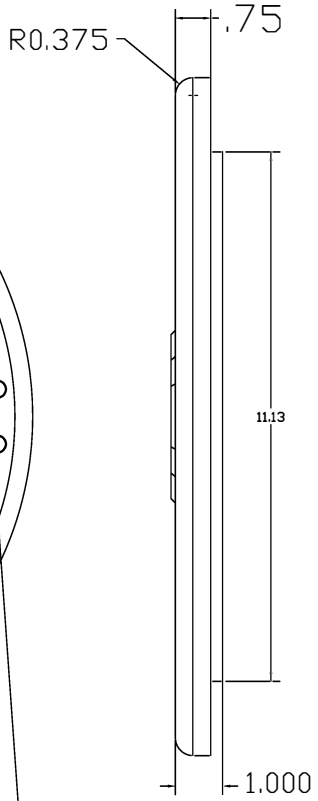
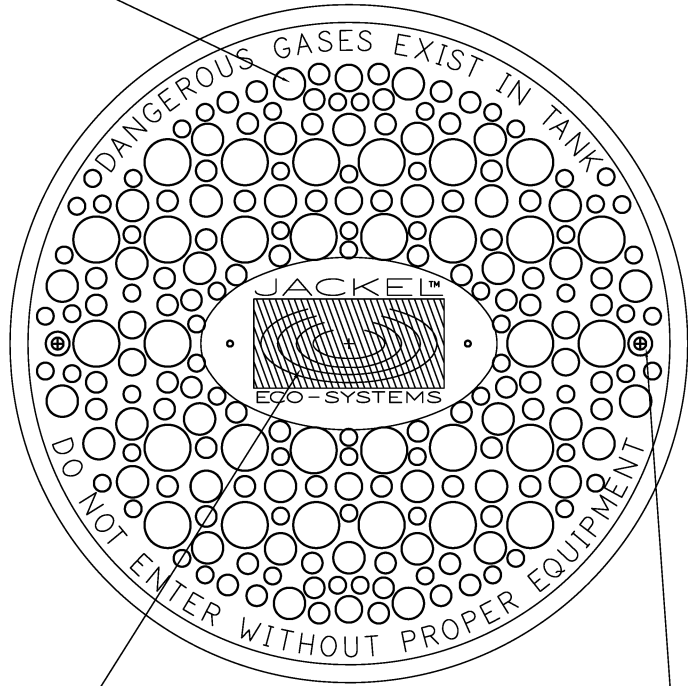


(317) 346-4110

**DRAINAGE SOLUTIONS, INC**

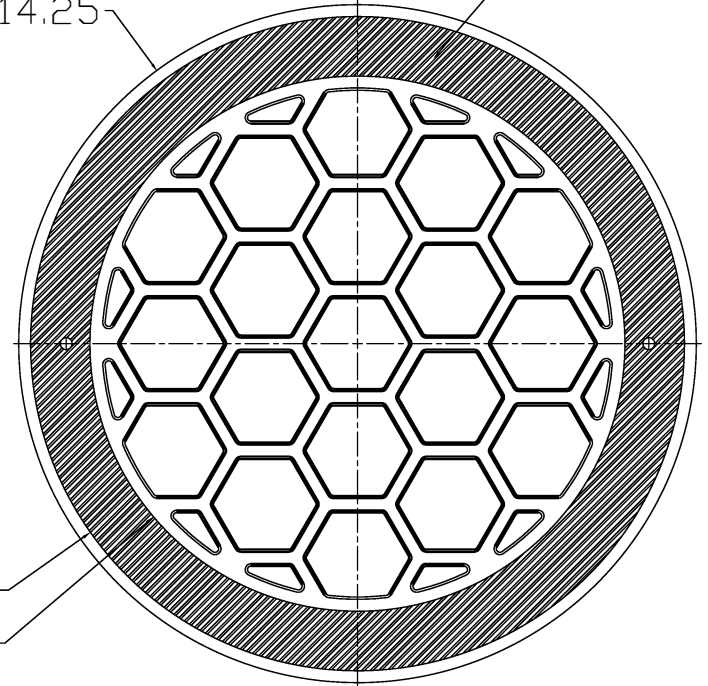
www.drainagesolutionsinc.com

.125" RAISED ANTI-SKID SURFACE



Ø14.25

SFRC12 SEAL  
PVC SEAL



Ø13.75

Ø11.25

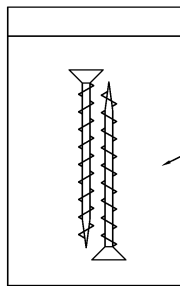
OPTIONAL CUSTOMIZED NAMEPLATE ATTACHED WITH 6x5/16 S.S. U-DRIVE SCREWS

Ø.250 HOLES X 2 ON 12.250 B.C.

NOTE: WALL THICKNESS .25

JACKEL, INC.

PART NAME				SFRC12G RISER COVER			
PART NUMBER		SFRC12G		CUSTOMER		VARIOUS	
MATERIAL		STRUCTURAL FOAM (HDPE)		FINISH		GREEN, AS MOLDED	
UNITS		INCHES		REVISION		"A"	
DESIGN ENG.		J.HASLOCK		DRAWN BY		SHEET OF	
						1 1	
						DATE	
						9-11-08	



(2) 12x2 S.S. FLAT HEAD SQUARE DRIVE MOUNTING SCREWS IN POLYBAG ATTACHED TO COVER WITH U-DRIVE SCREW