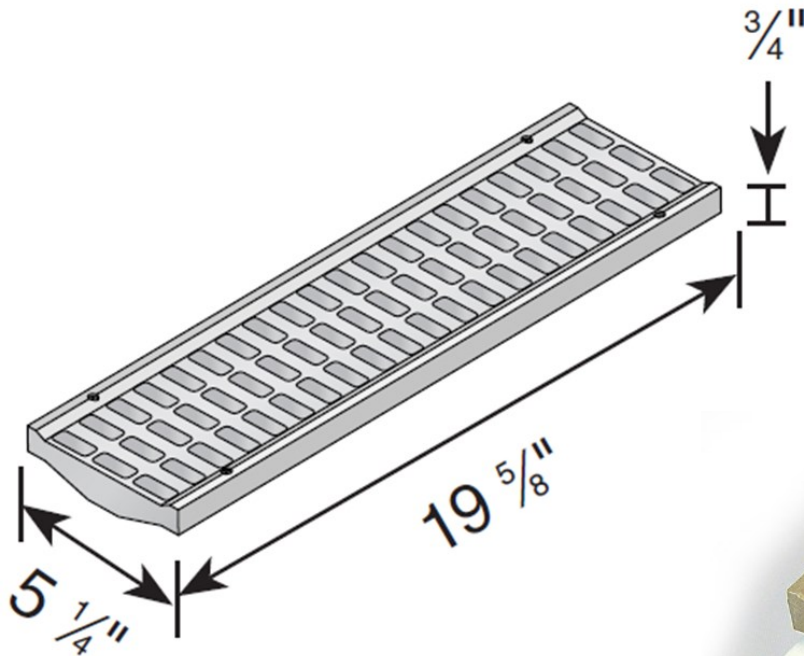


5 Inch Pro Series Grates



Part #: 814,815,816,817,818,819
 Material: HDPE (High Density Polyethylene)
 Color: #814(Light Gray), #815(Green), #816(Black), #817
 (Sand) #818 (Brick red) #819 (White)
 Fits: 5" Pro Series Channel, Part# 820 (takes 1 grate) and
 Part# 800 (takes 2 grates)
 Grate Opening: 1/2" x 1-1/4"
 Open Surface Area: 23.52 Sq. Inch per Ft.
 Head Pressure / Flow Rate:
Head (inches) - Max Flow
 1" = 101.75 GPM
 0.5" = 71.95 GPM
 Screw: #829 Stainless Steel Screw, 4 per grate.
 Weight per each: 1.16 lbs.
 UV Inhibitors



Class B

- Loads of 61-175 psi.
- Recommended for medium-duty pneumatic tire traffic, autos and light trucks at speeds less than 20 m.p.h.

ADA Compliant