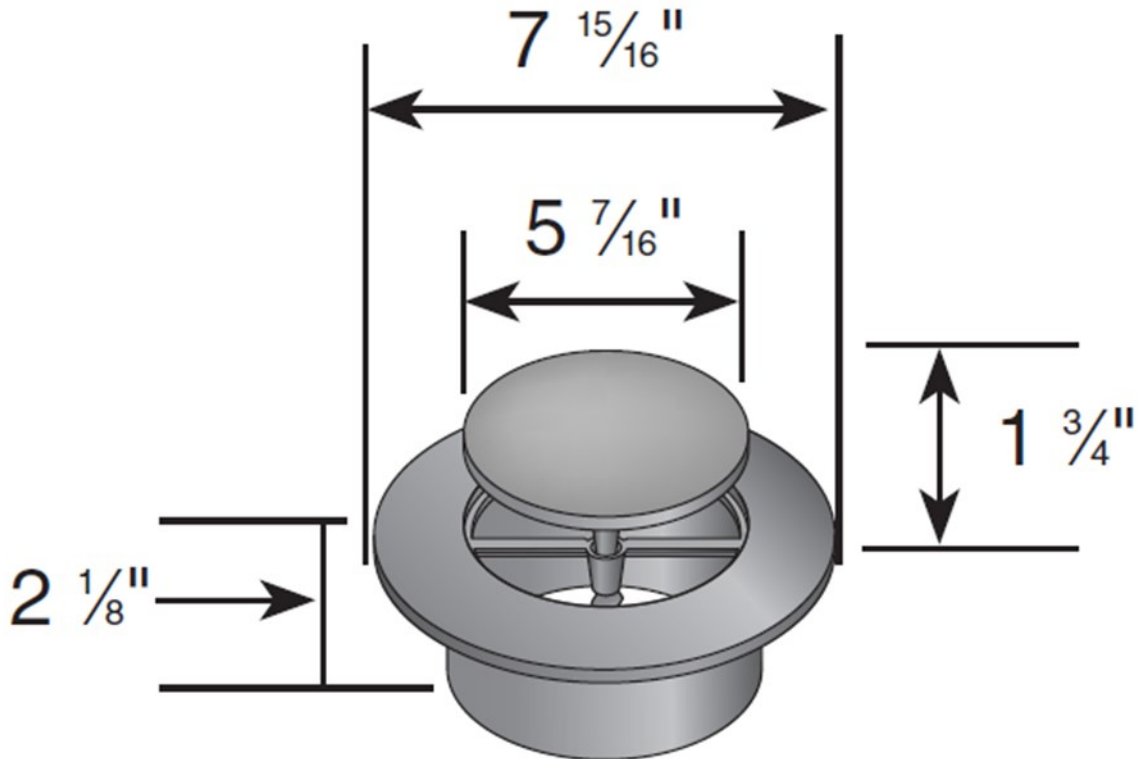


6" Pop-Up Drainage Emitter



Part #: 620
 Material: High Density Polypropylene (HDPE)
 Colors: Green
 Fits: 6" sewer and drain fittings and NDS 6" Spee-D Basin
 Spring: Stainless Steel Grade 302
 Open Pressure: 1 PSI
 Open Surface Area: 28.8 Sq. Inches
 Flow Rate:
 1" Head: 124.60 GPM
 0.5" Head: 88.10 GPM
 Weight Per Each: 0.64 lbs.
 UV inhibitor

Load Recommendation Guide



Class A

- Loads of 1-60 psi.
- Recommended for pedestrians, bicycles and wheel chair traffic.