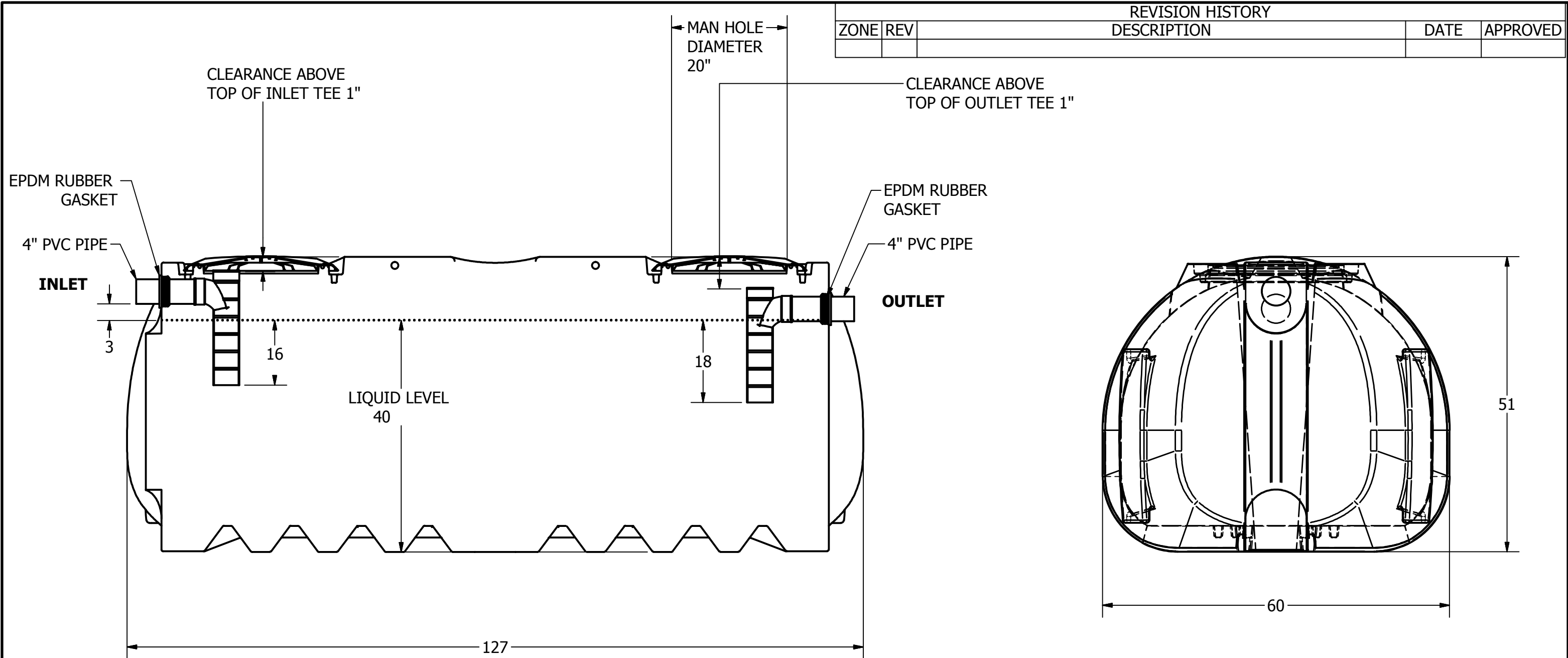



REVISION HISTORY				
ZONE	REV	DESCRIPTION	DATE	APPROVED



DRAINAGE SOLUTIONS, INC

(317) 846-4110
www.drainagesolutionsinc.com

CONSTRUCTION MATERIAL: **HDPE**
MINIMUM TANK WALL THICKNESS: **.25"**
LIQUID SURFACE AREA: **34.15 FT²**

DRAWN Todd Bolzer	12/28/2010	 NORWESCO NORWESCO, INC., ST. BONIFACIUS, MN
CHECKED		
QA		TITLE
MFG		1000 GALLON LOW PROFILE SINGLE COMPARTMENT SEPTIC TANK STD
APPROVED		
		SIZE B
		NORWESCO P/N: 43496 SNYDER IND. P/N: 1006800W95301
		SCALE: 1/16
		REV
		SHEET 1 OF 1