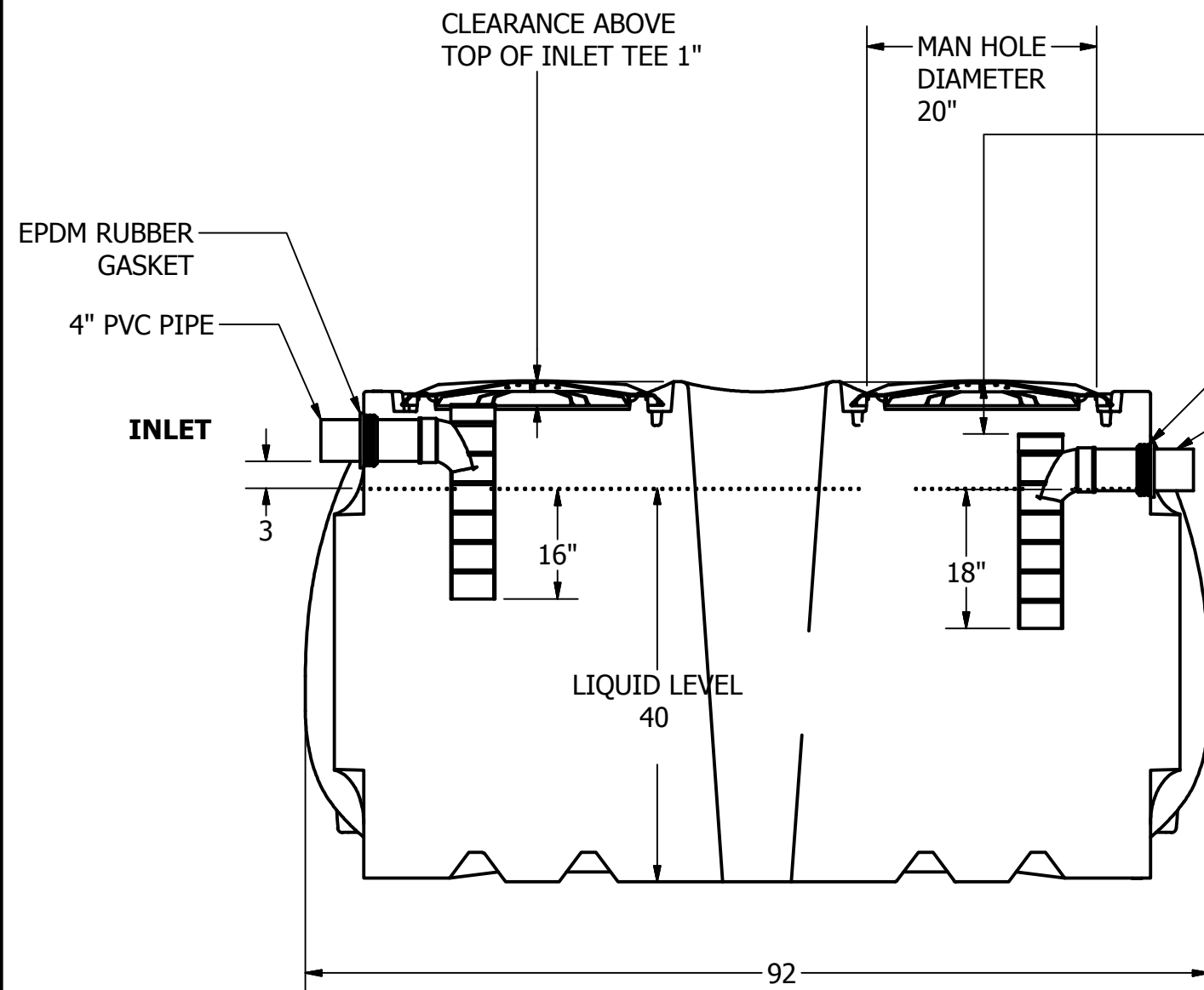
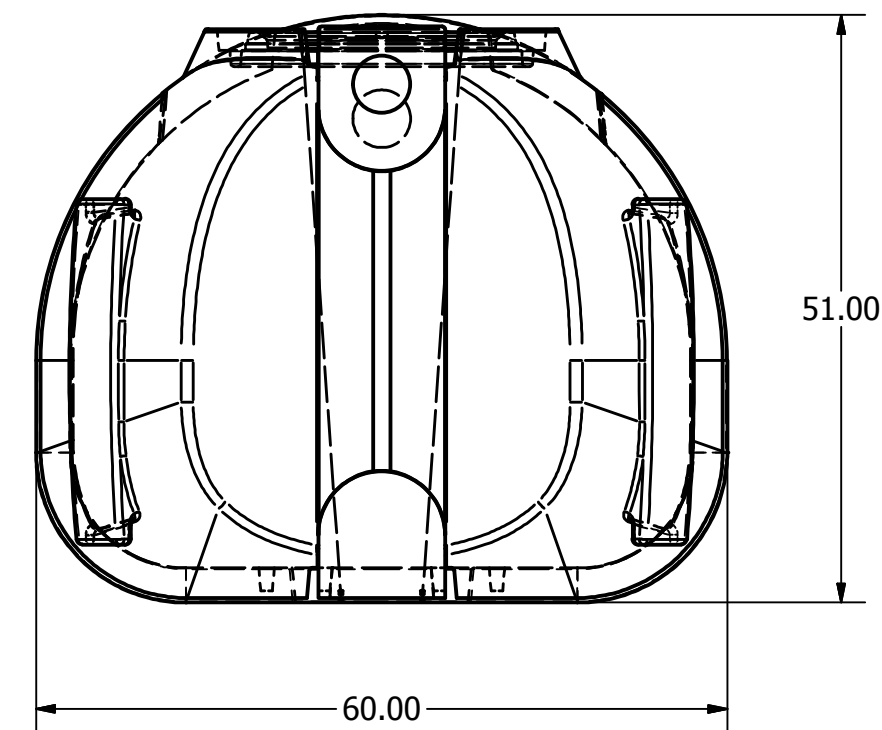


REVISION HISTORY				
ZONE	REV	DESCRIPTION	DATE	APPROVED




CLEARANCE ABOVE TOP OF INLET TEE 1"
 CLEARANCE ABOVE TOP OF OUTLET TEE 1"
 EPDM RUBBER GASKET
 4" PVC PIPE



(317) 346-4110
 www.drainagesolutionsinc.com

CONSTRUCTION MATERIAL: **HDPE**
 MINIMUM TANK WALL THICKNESS: **.25"**
 LIQUID SURFACE AREA: **25.61 FT²**

DRAWN Todd Bolzer	12/28/2010	 NORWESCO NORWESCO, INC., ST. BONIFACIUS, MN TITLE		
CHECKED				
QA		750 GALLON LOW PROFILE SINGLE COMPARTMENT SEPTIC TANK		
MFG				
APPROVED				
		SIZE B	NORWESCO P/N: 43495 SNYDER IND. P/N: 1007100W95301	REV
SCALE: 1/16		SHEET 1 OF 1		