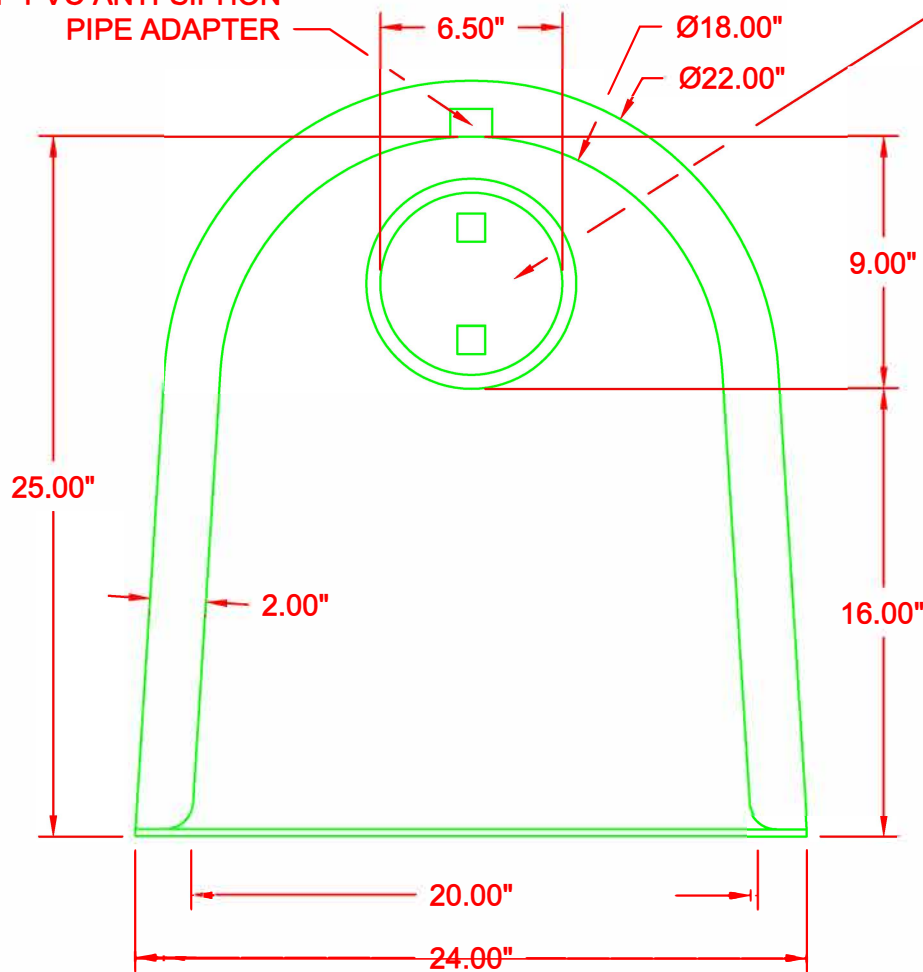
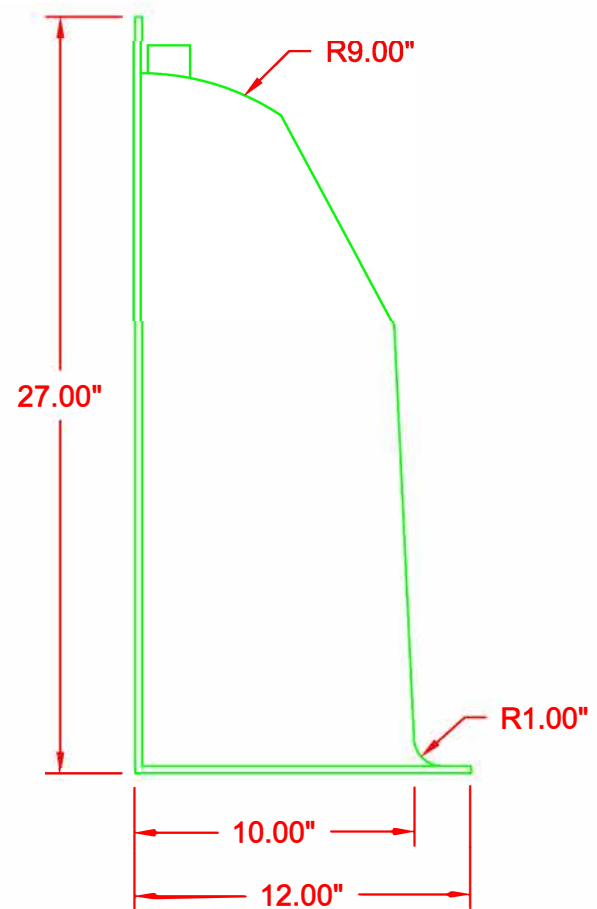


1" PVC ANTI-SIPHON  
PIPE ADAPTER

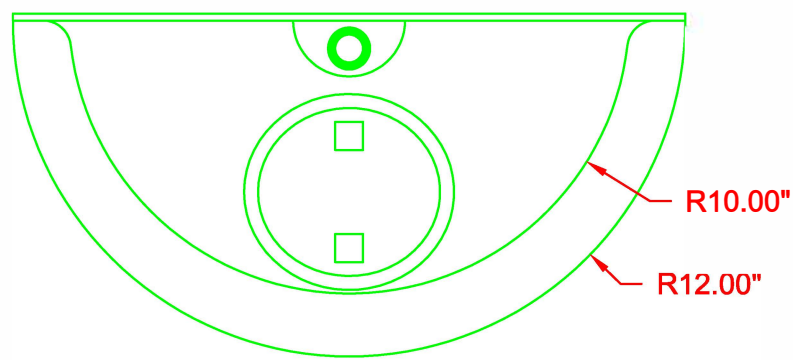
REMOVABLE WATERTIGHT  
ACCESS PORT, 6" OPENING



FRONT



SIDE



PLAN

US PATENT #6126817 ADDITIONAL PATENTS PENDING



(317) 346-4110  
www.drainagesolutionsinc.com

**BMP, INC.**

53 MT. ARCHER ROAD, LYME, CT. 06371  
(800) 504-8008 FAX: (860)434-3195

DESCRIPTION	DATE	SCALE
<b>18F SNOOT OIL &amp; DEBRIS STOP</b>	<b>09/14/99</b>	<b>NONE</b>
	DRAWING NUMBER <b>18F</b>	