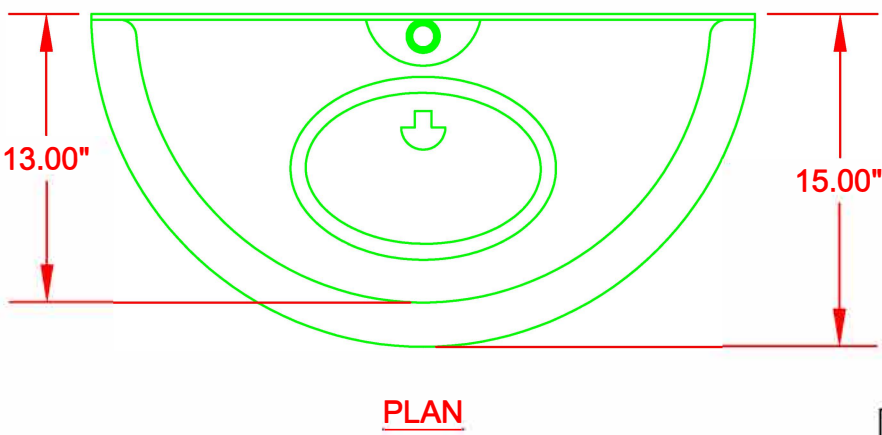
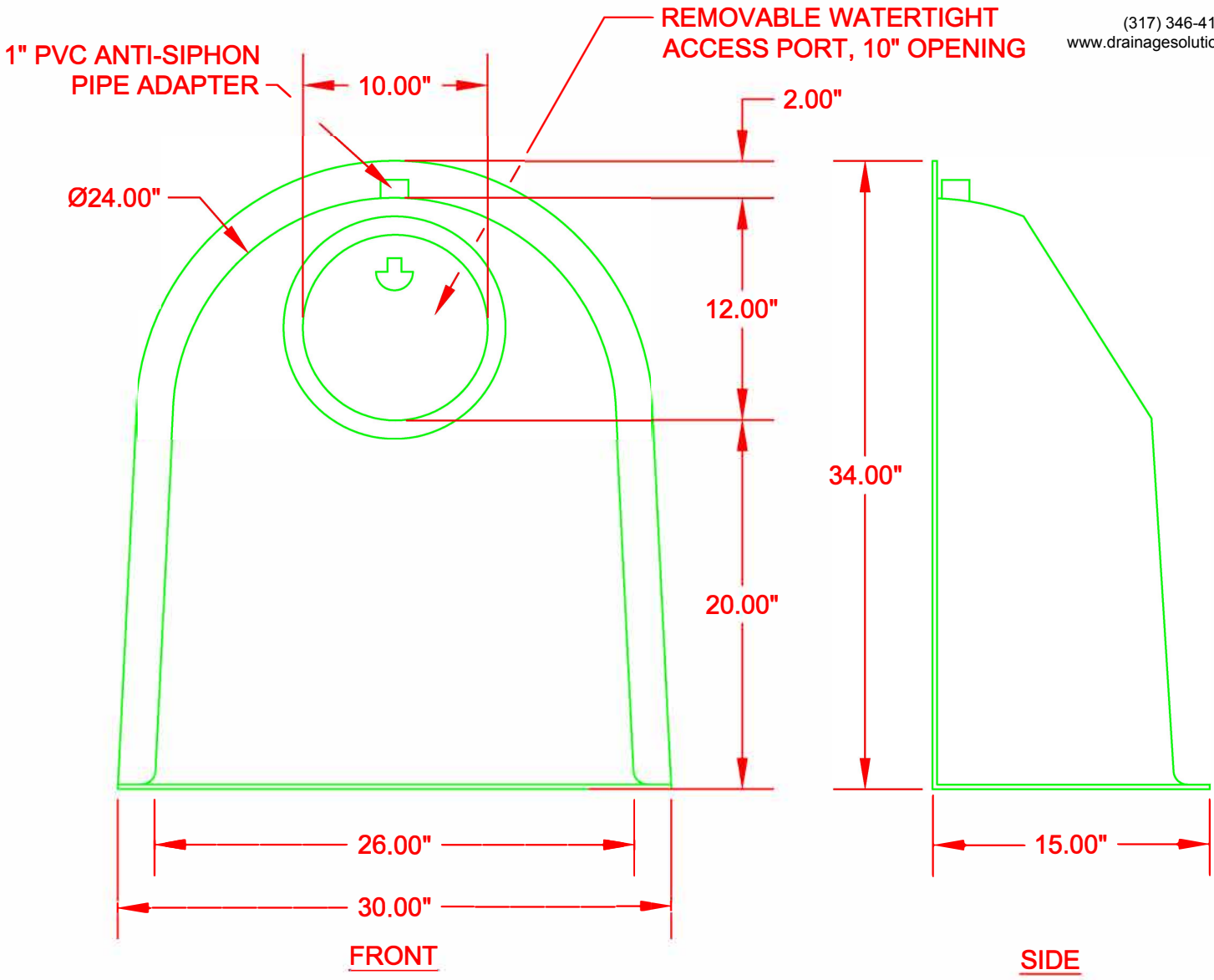




DRAINAGE SOLUTIONS, INC

(317) 346-4110
www.drainagesolutionsinc.com



U.S.PATENT #6126817 ADDITIONAL PATENTS PENDING

BMP, INC.

53 MT. ARCHER ROAD, LYME, CT. 06371
(800) 504-8008 FAX: (860)434-3195

DESCRIPTION	DATE	SCALE
24F SNOOT OIL & DEBRIS STOP	09/20/99	NONE
	DRAWING NUMBER 24F	