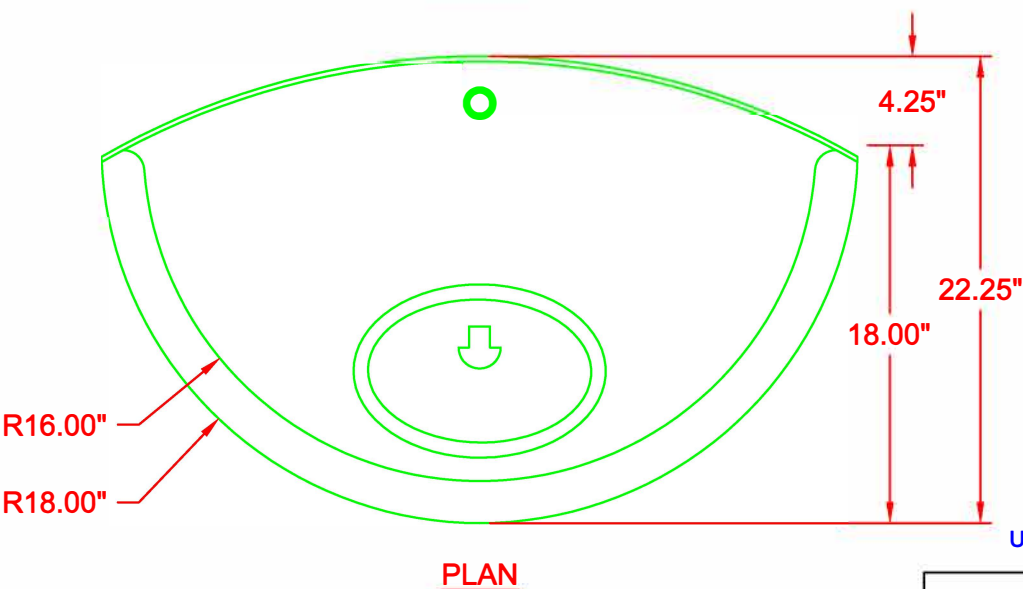
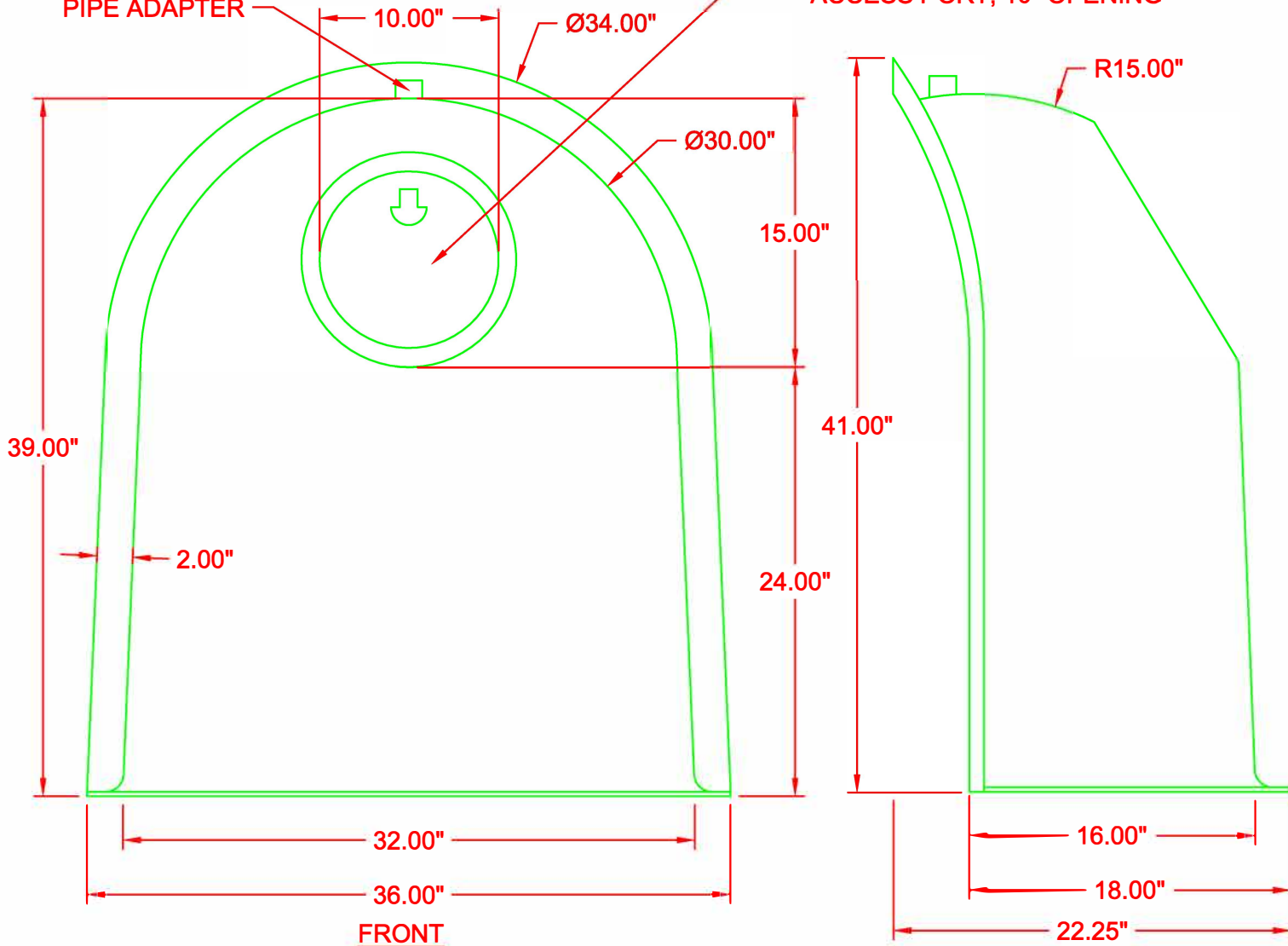


1" PVC ANTI-SIPHON  
PIPE ADAPTER

REMOVABLE WATERTIGHT  
ACCESS PORT, 10" OPENING



U.S. PATENT #6126817 ADDITIONAL PATENTS PENDING

PLAN



DESIGNED TO FIT  
60"-72" DIAM.  
STRUCTURES

(317) 346-4110  
www.drainagesolutionsinc.com

**BMP, INC.**

53 MT. ARCHER ROAD, LYME, CT. 06371  
(800) 504-8008 FAX: (860)434-3195

DESCRIPTION	DATE	SCALE
30R SNOOT OIL & DEBRIS STOP	10/04/99	NONE
	DRAWING NUMBER <b>30R</b>	