

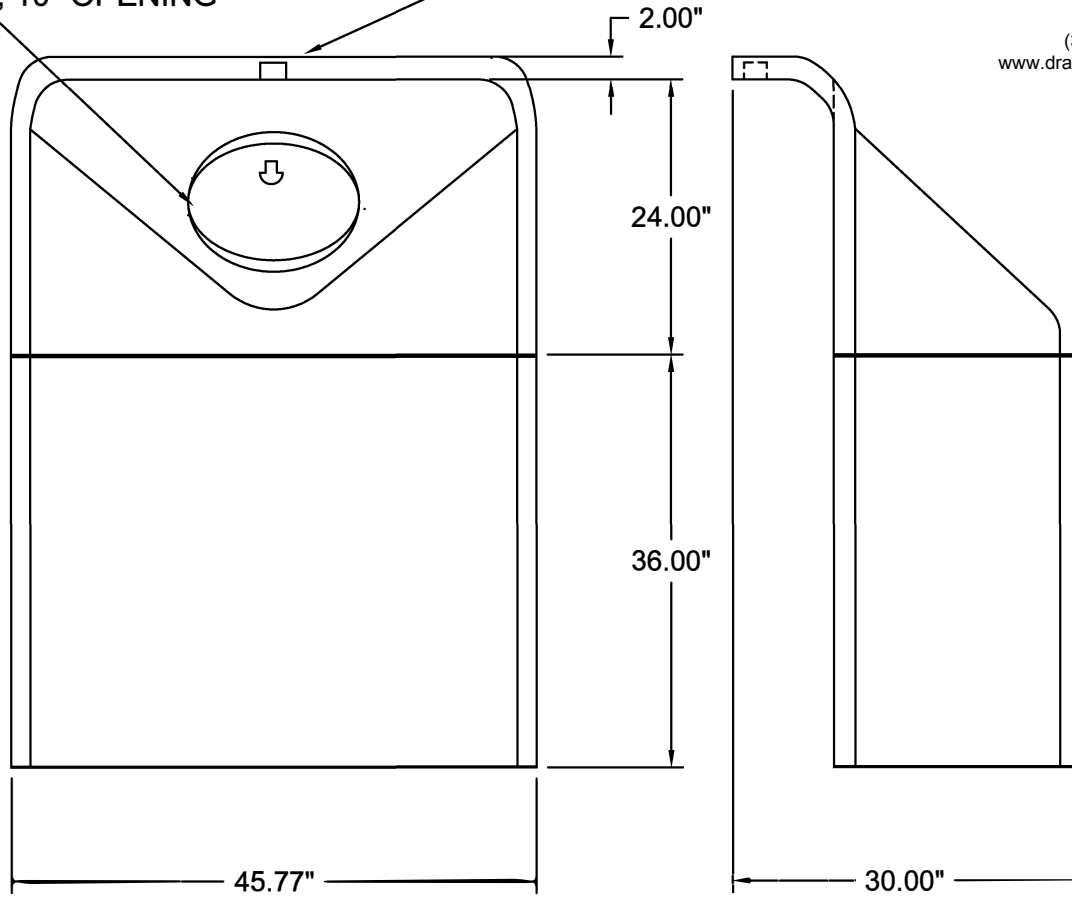


DRAINAGE SOLUTIONS, INC.

(317) 346-4110
www.drainagesolutionsinc.com

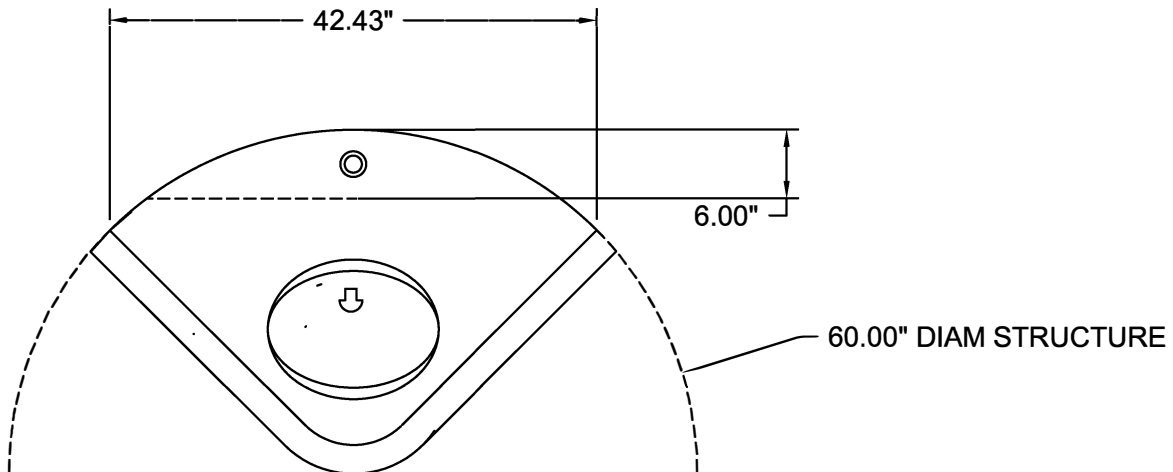
REMOVABLE WATERTIGHT ACCESS PORT, 10" OPENING

1.5" PVC ANTI-SIPHON PIPE ADAPTER



FRONT

SECTION



PLAN

U.S. PATENT 6126817 CANADA PATENT 2285146
ADDITIONAL PATENTS PENDING

DESIGN NOTE: 42RTB/60 IS A 2-PIECE PART FOR INSTALLATION IN A 60" DIAM. STRUCTURE ONLY

BMP, INC.		
53 MT. ARCHER ROAD, LYME, CT. 06371 (800) 504-8008 FAX: (860)434-3195		
DESCRIPTION 42RTB/60 SNOUT OIL & DEBRIS STOP	DATE 03-01-10	SCALE NONE
		DRAWING NUMBER 42RTB/60