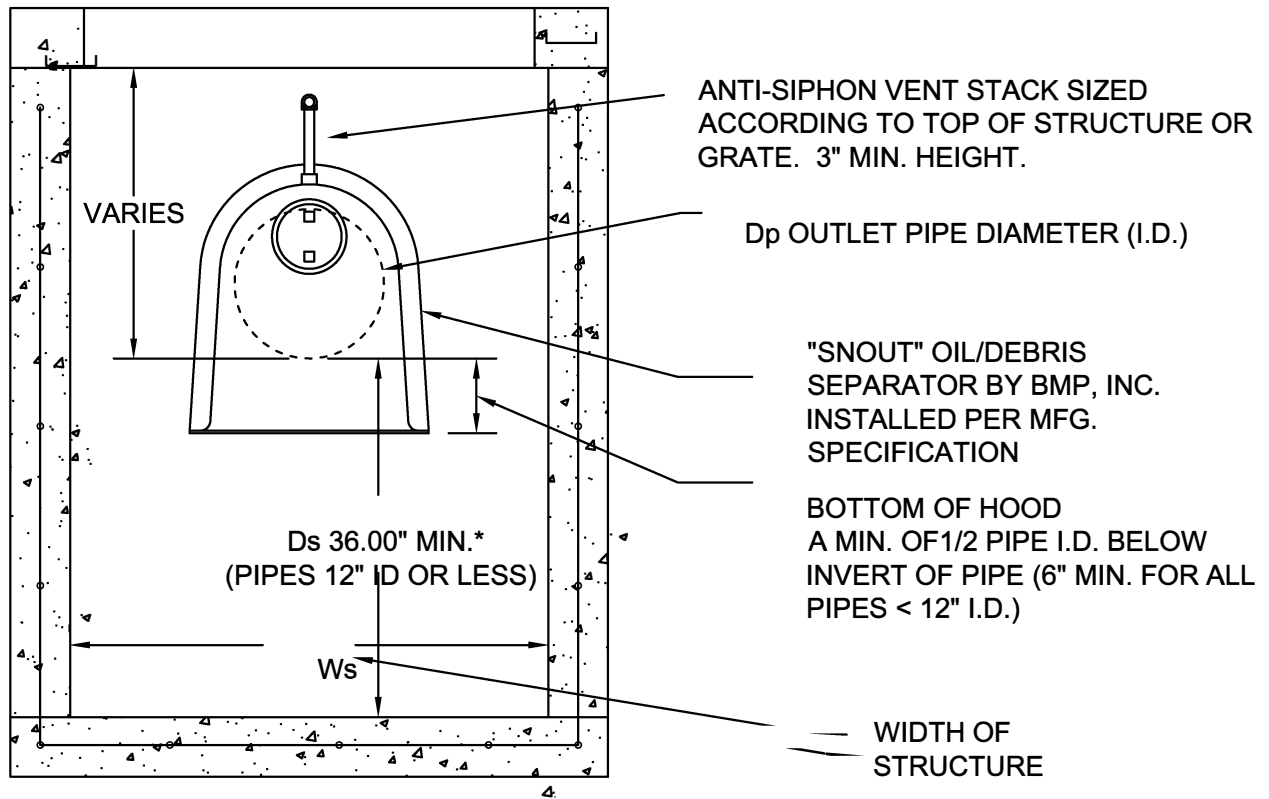


STRUCTURE DESIGN FOR WATER QUALITY IMPROVEMENT



RULE # 1- AT AN ABSOLUTE MINIMUM, STRUCTURE INTERNAL DIMENSIONS MUST BE AT LEAST LARGE ENOUGH TO ACCOMODATE EXTERNAL DIMENSIONS OF THE SNOUT, AND ALLOW FOR A PERSON TO INSTALL IT. REFER TO BMP, INC. CAD DETAILS FOR PART DIMENSIONS. BMP RECOMMENDS STRUCTURE WALL TO BE AT LEAST 12" WIDER THAN MAXIMUM SNOUT WIDTH. FOR TRASHSCREEN, STRUCTURE MUST BE AT LEAST 6" WIDER THAN TRASHSCREEN WIDTH.

RULE #2- USE ONLY "F" SERIES SNOUTS FOR RECTANGULAR OR SQUARE STRUCTURES, AVAILABLE IN 12", 18", 24", 30", 36", 48", 72" AND 96" SIZES. USE ONLY "R" SERIES SNOUTS FOR ROUND STRUCTURES, AVAILABLE IN 12", 18", 24", 30", 42", 52" AND 72" SIZES.

***SUMP DEPTH (Ds)-** SUMP DEPTH SHOULD BE A MINIMUM OF 36" FOR ANY NEW CONSTRUCTION FOR PIPES 12" AND LESS. FOR 15"-18" PIPE MIN. DEPTH SHOULD BE 48". OPTIMAL SIZING IS AT LEAST 2.5X TO 3X OUTLET PIPE DIAMETER (Dp) FOR MAXIMUM POLLUTANT REMOVAL EFFICIENCY AND MINIMAL CLEANOUT FREQUENCY.

STRUCTURE DIMENSIONS- PLAN DIMENSIONS FOR A STRUCTURE SHOULD BE UP TO 7X AREA OF OUTLET PIPE FOR MAXIMUM POLLUTANT REMOVAL EFFICIENCY AND MINIMAL CLEANOUT FREQUENCY. FOR MANHOLES, SEE SIZING EXAMPLES BELOW FOR "R" SERIES SNOUTS.

IMPORTANT NOTICE: DO NOT CONFUSE PIPE O.D WITH PIPE I.D. A SNOUT FITS OVER A PIPE, NOT IN IT. THUS, SNOUT MUST BE SIZED TO FIT OVER PIPE OPENING IN STRUCTURE. SNOUTS ARE AVAILABLE FOR ROUND STRUCTURES TO ACCOMODATE PIPES OF 71.9" O.D. MAX. FOR PIPES 72" O.D. AND ABOVE, USE SQUARE OR RECTANGULAR STRUCTURES.

SIZING EXAMPLES:

OUTLET HOLE SIZE	SNOUT SIZE
11.9" O.D. OR LESS	12 F or R (R FITS 36"-48" DIAM STRUCTURE)
12.0"-17.9" O.D.	18 F or R (R FITS 48"-60" DIAM STRUCTURE)
18.0"-23.9" O.D.	24 F or R (R FITS 48"-60" DIAM STRUCTURE)
24.0"-29.9" O.D.	30 F or R (R FITS 60"-72" DIAM STRUCTURE)
30.0"-35.9" O.D.	36FTB
30.0"-41.9" O.D.	42RTB/60 (FITS 60" DIAM STRUCTURE ONLY)
30.0"-47.9" O.D.	48 FTB
30.0"-51.9" O.D.	52RTB/72 (FITS 72" DIAM STRUCTURE ONLY)
48.0"-71.9" O.D.	72FTB OR 72RTB/96 (FITS 96" DIAM STRUCTURE ONLY)
72"-95.9" O.D.	96 FTB

NPSNOOT (FOR SMALL ID STRUCTURES)

UP TO 12" PIPE IN 18" ID STRUCTURE NP1218
UP TO 15" PIPE IN 24" ID STRUCTURE NP1524
UP TO 18" PIPE IN 30" ID STRUCTURE NP1830
UP TO 24" PIPE IN 30" ID STRUCTURE NP 2430



(317) 346-4110
www.drainagesolutionsinc.com

BMP, INC.		
53 MT. ARCHER ROAD, LYME, CT. 06371 (800) 504-8008 FAX: (860)434-3195		
DESCRIPTION SNOUT SIZING CHART	DATE 09/09/05	SCALE NONE
	DRAWING NUMBER SP-SI	