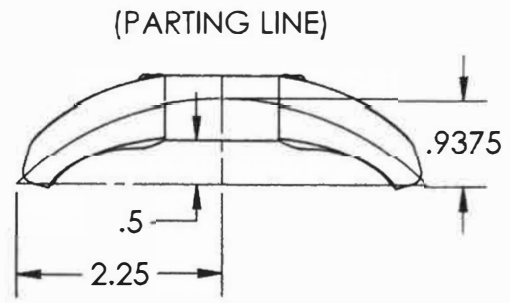
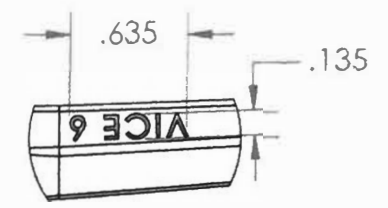


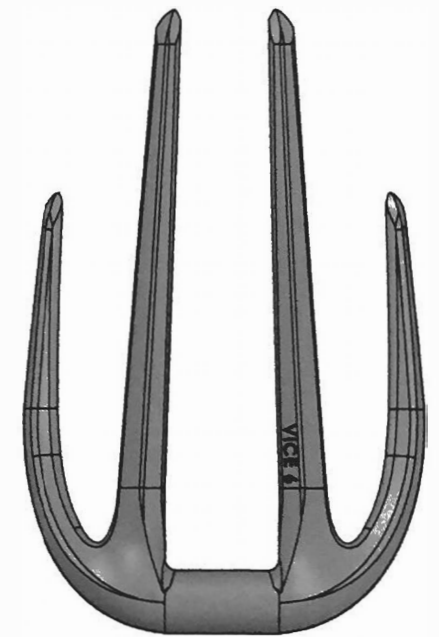
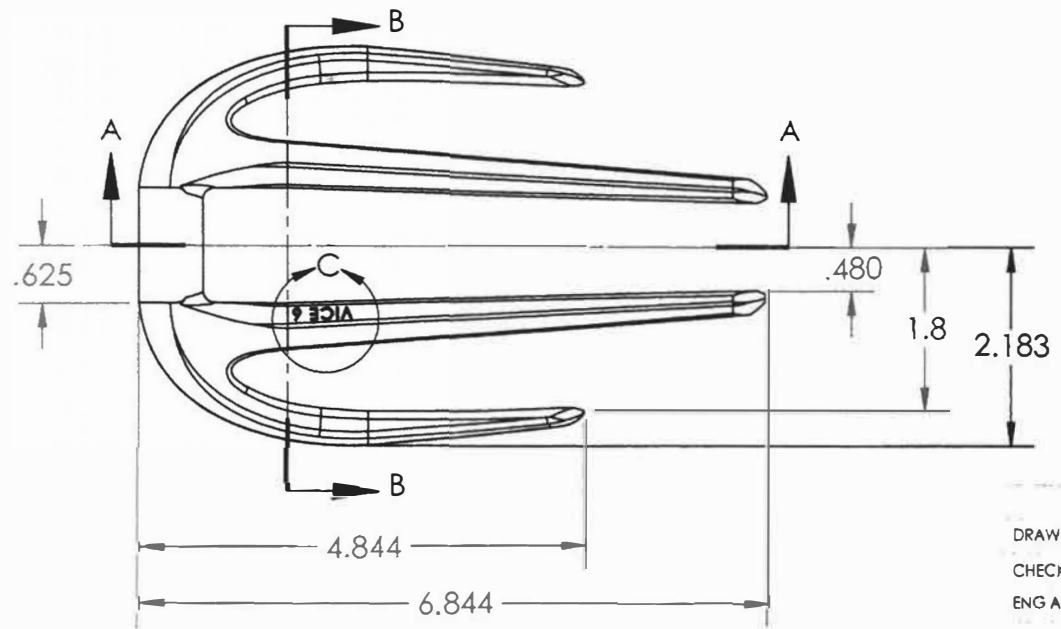
SECTION A-A  
SCALE 1 : 2



SECTION B-B  
SCALE 1 : 2



DETAIL C  
SCALE 1 : 1



NAME DATE  
BKB 5/172012

DRAWN  
CHECKED  
ENG APPR.  
MFG APPR.  
Q.A.  
COMMENTS:

TITLE:

6" ANIMAL GUARD

SIZE DWG. NO. REV  
**A** 6 Animal Guard **A**  
SCALE: 1:2 WEIGHT: SHEET 1 OF 1

PROPRIETARY AND CONFIDENTIAL

THE INFORMATION CONTAINED IN THIS DRAWING IS THE SOLE PROPERTY OF VICE BROTHERS INC. ANY REPRODUCTION IN PART OR AS A WHOLE WITHOUT THE WRITTEN PERMISSION OF VICE BROTHERS INC IS PROHIBITED.

  
**DRAINAGE SOLUTIONS, INC**  
(317) 346-4110

MATERIAL Aluminum 319  
FINISH GROUND

DO NOT SCALE DRAWING

www.drainagesolutionsinc.com

**VICE BROS**  
Vice Brothers Inc

5

4

3

2

1