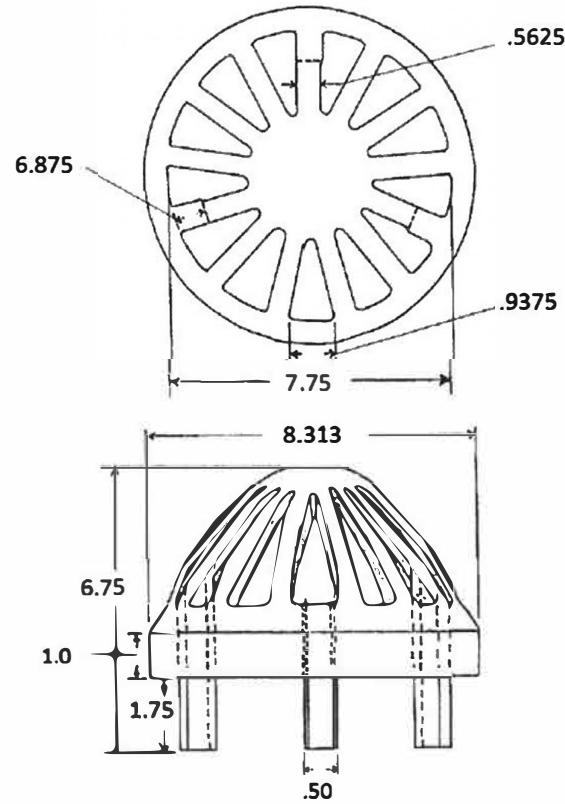




**DRAINAGE SOLUTIONS, INC**

(317) 346-4110

www.drainagesolutionsinc.com



NAME DATE  
BKJ 5/14/2012

DRAWN  
CHECKED  
BNG APPR.  
MFG APPR.  
QA  
COMMENTS

TITLE:

### DD08 Drainage Dome

SIZE DWG. NO. REV

**A** DD08 Drainage Dome **A**

SCALE: WEIGHT: 3.0 SHEET 1 OF 1

PROPRIETARY AND CONFIDENTIAL  
THE INFORMATION CONTAINED IN THIS  
DRAWING IS THE SOLE PROPERTY OF  
VICE BROTHERS. ANY REPRODUCTION IN  
PART OR AS A WHOLE WITHOUT THE  
WRITTEN PERMISSION OF VICE BROTHERS  
IS PROHIBITED.

MATERIAL  
Aluminum 319  
GROUND  
DO NOT SCALE DRAWING

5

4

3

2

1