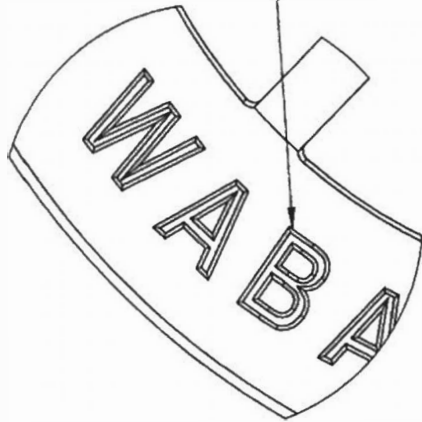
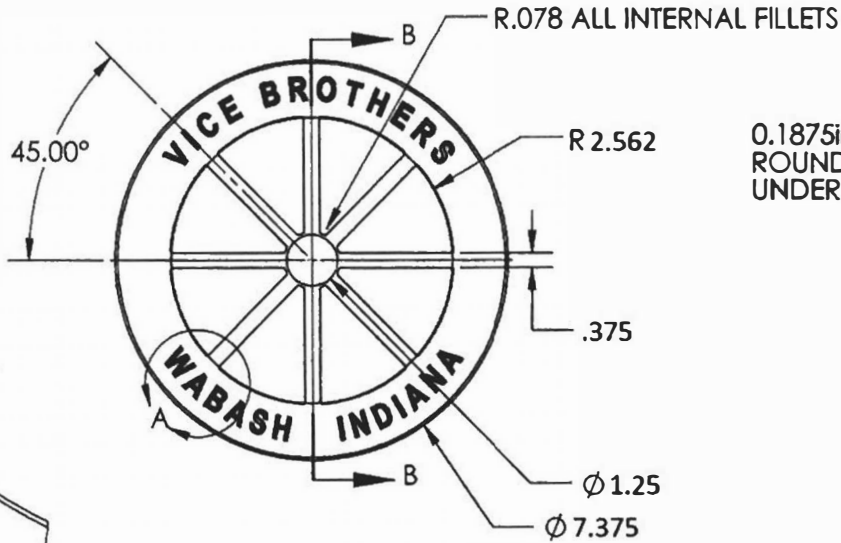


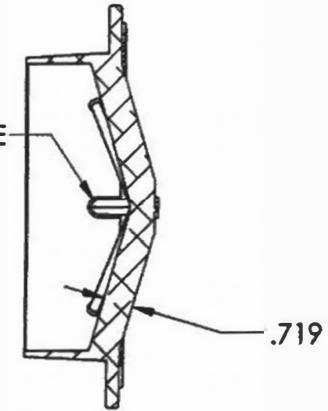
15° DRAFT
BOSS .09375"
HEIGHT .5625"
SPACE .0656



DETAIL A



0.1875in
ROUNDED
UNDERSIDE



SECTION B-B

NAME DATE
BKB 5/14/2012

DRAWN
CHECKED
ENG APPR.
MFG APPR.
Q.A.
COMMENTS:

TITLE:

LC06 Low Cone

SIZE DWG. NO. REV
A LC06 Low Cone A

SCALE: WEIGHT: 2.5lbs SHEET 1 OF 1

PROPRIETARY AND CONFIDENTIAL

THE INFORMATION CONTAINED IN THIS DRAWING IS THE SOLE PROPERTY OF VICE BROTHERS. ANY REPRODUCTION IN PART OR AS A WHOLE WITHOUT THE WRITTEN PERMISSION OF VICE BROTHERS IS PROHIBITED.

MATERIAL Aluminum 319

FINISH GROUND

DO NOT SCALE DRAWING