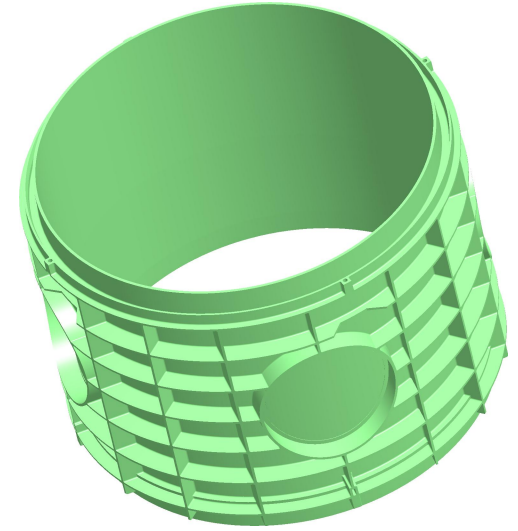
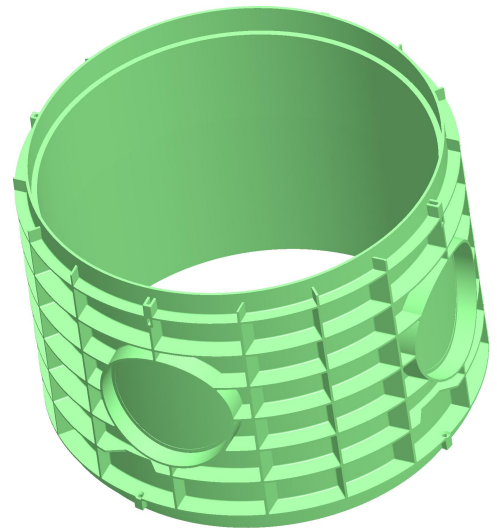
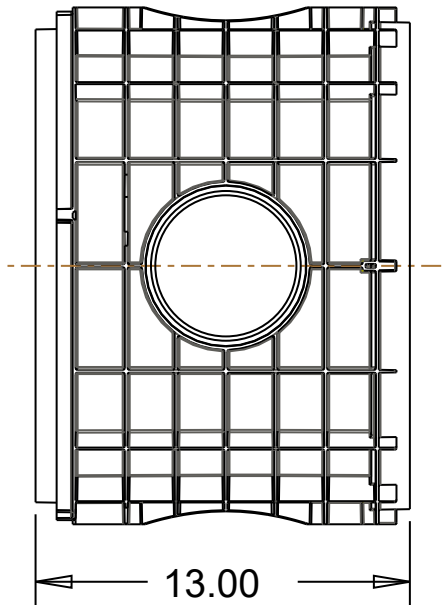
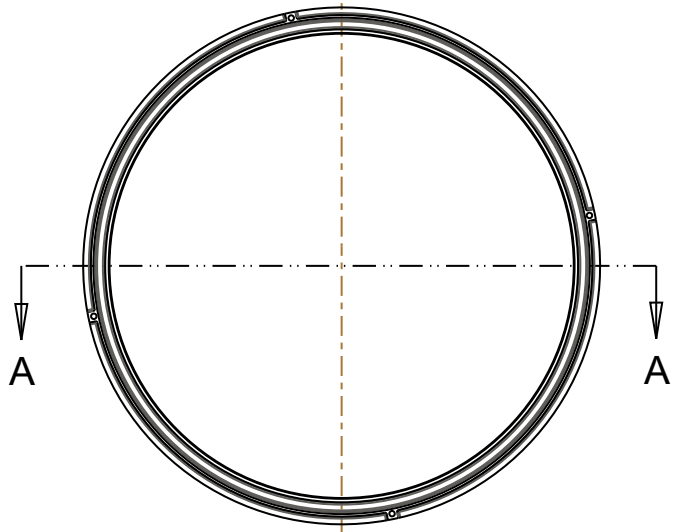


SECTION A-A



Material: Copolymer Polypropylene
Color: Green



Drainage and Septic Products



DRAINAGE SOLUTIONS, INC.

(317) 346-4110
www.drainagesolutionsinc.com

PART NAME:	16 X 12 RISER
PART #:	16 X 12 - RIS - GREEN