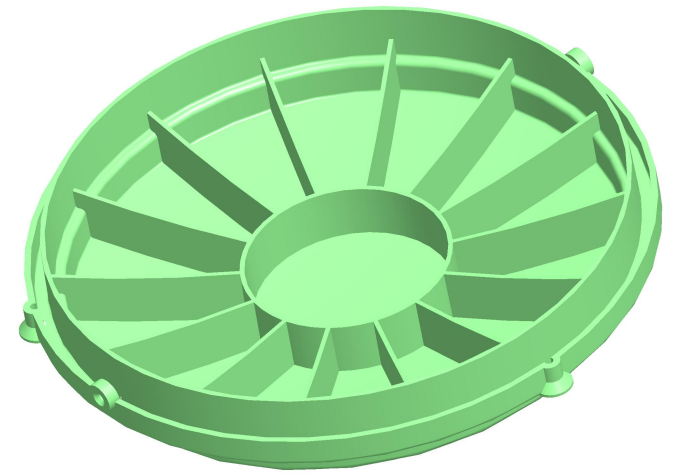
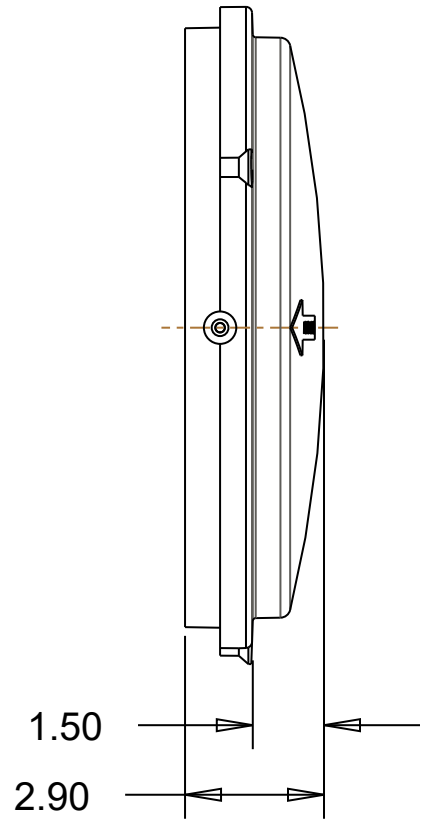
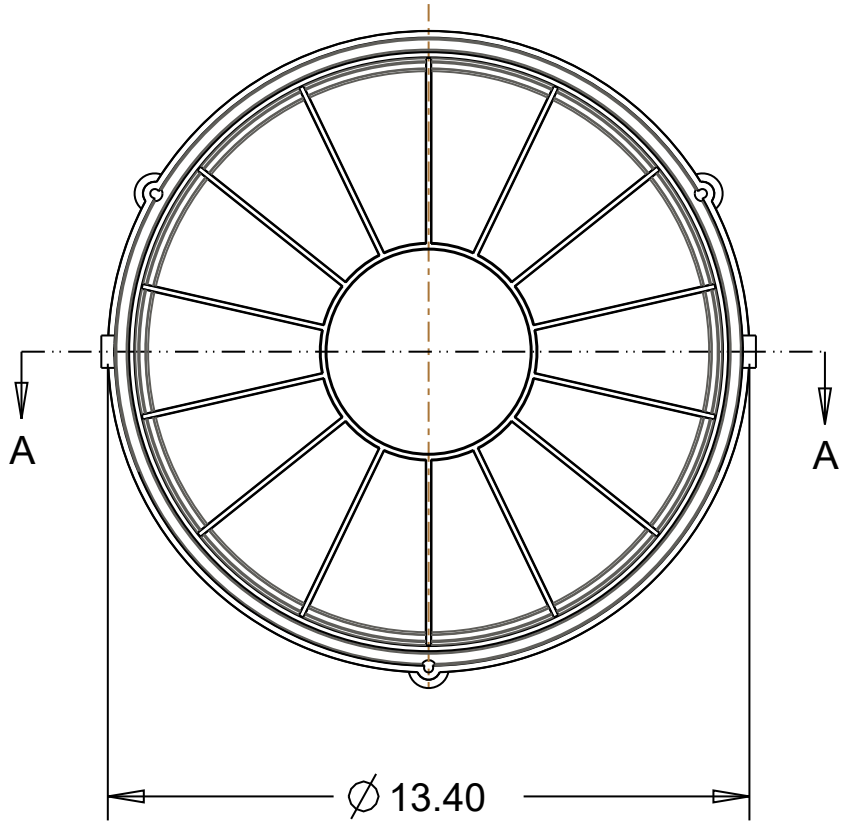
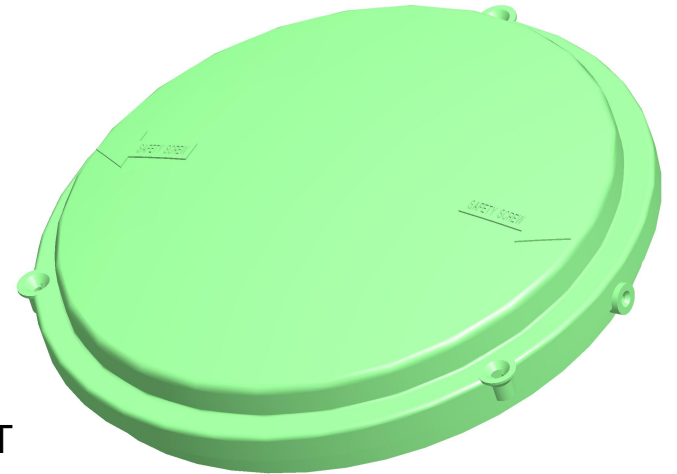


SECTION A-A

PERMANENT FOAMED-IN POLYURETHANE GASKET



Material: Copolymer Polypropylene  
Color: Green



**Drainage and Septic Products**



**DRAINAGE SOLUTIONS, INC.**

(317) 346-4110

[www.drainagesolutionsinc.com](http://www.drainagesolutionsinc.com)

**PART NAME:**  
12" RISER LID

**PART #:**  
12 - RISL - GREEN