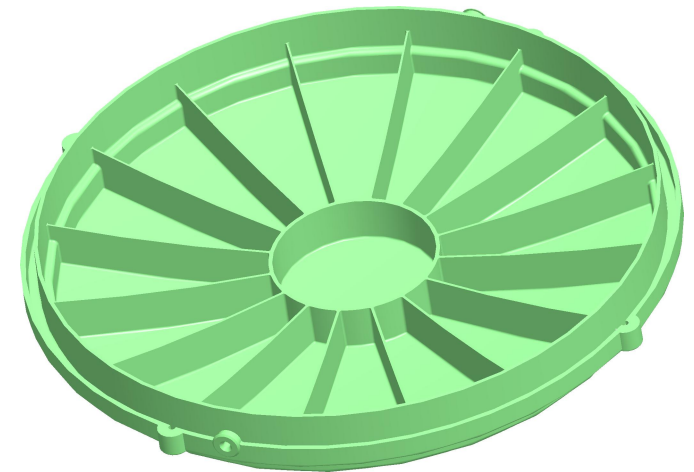
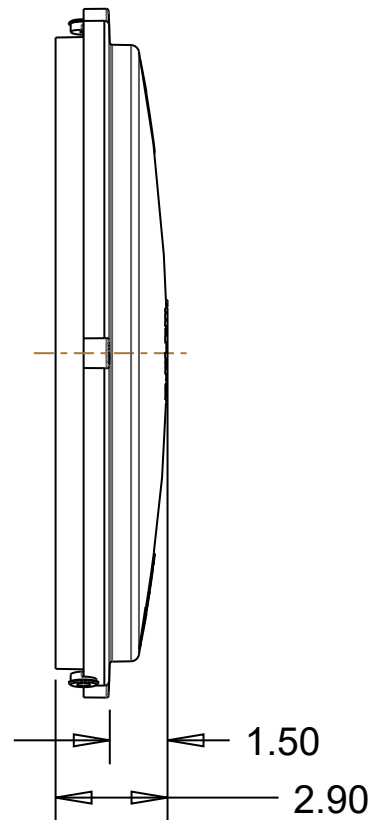
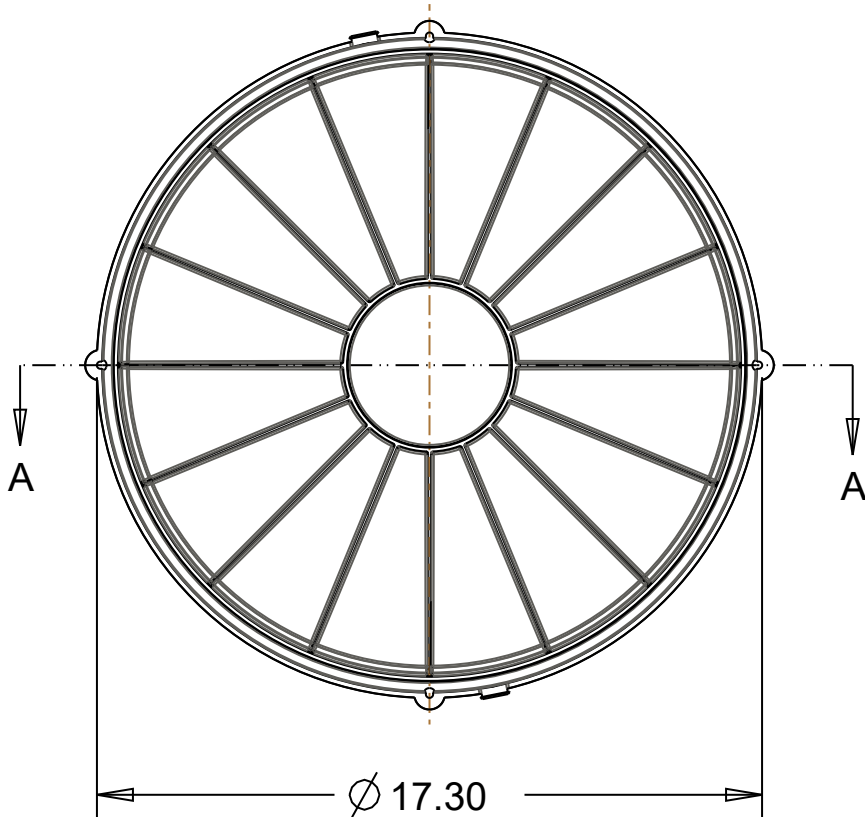
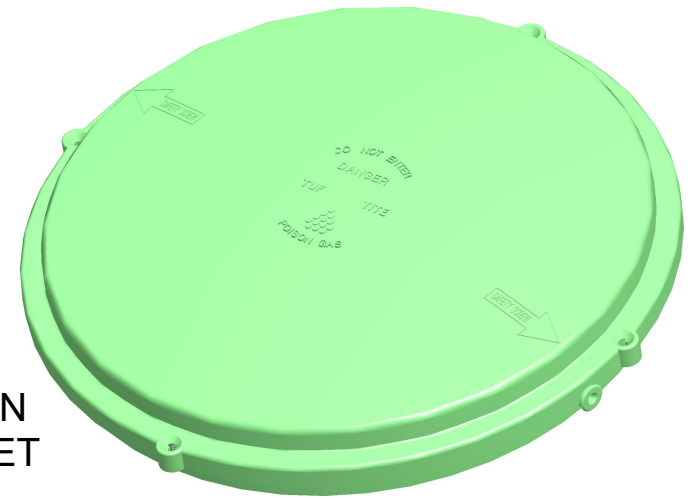


SECTION A-A

PERMANENT FOAMED-IN POLYURETHANE GASKET



Material: Copolymer Polypropylene  
Color: Green



Drainage and Septic Products



DRAINAGE SOLUTIONS, INC.

(317) 346-4110  
www.drainagesolutionsinc.com

PART NAME: 16" RISER LID

PART #: 16 - RISL - GREEN