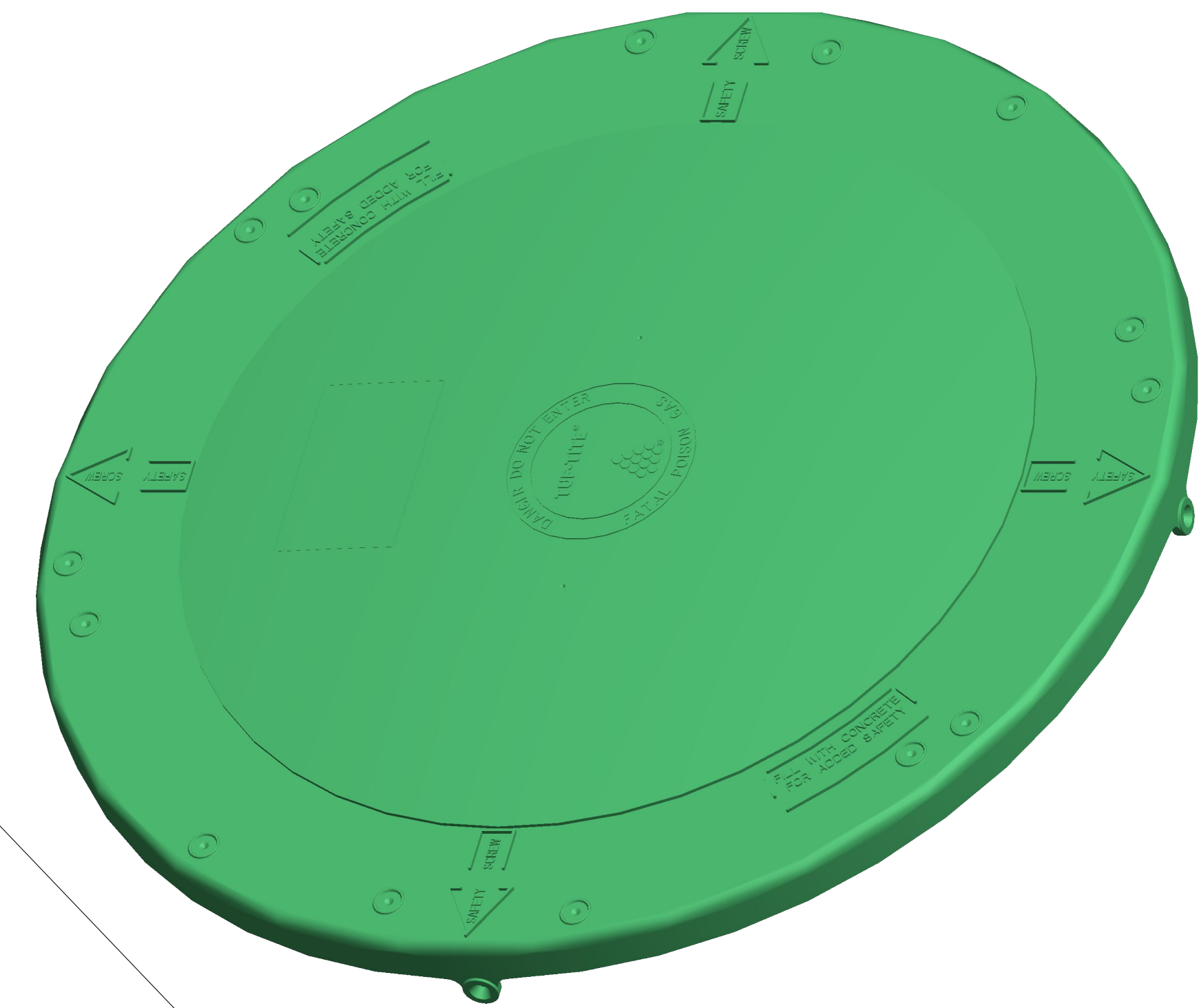


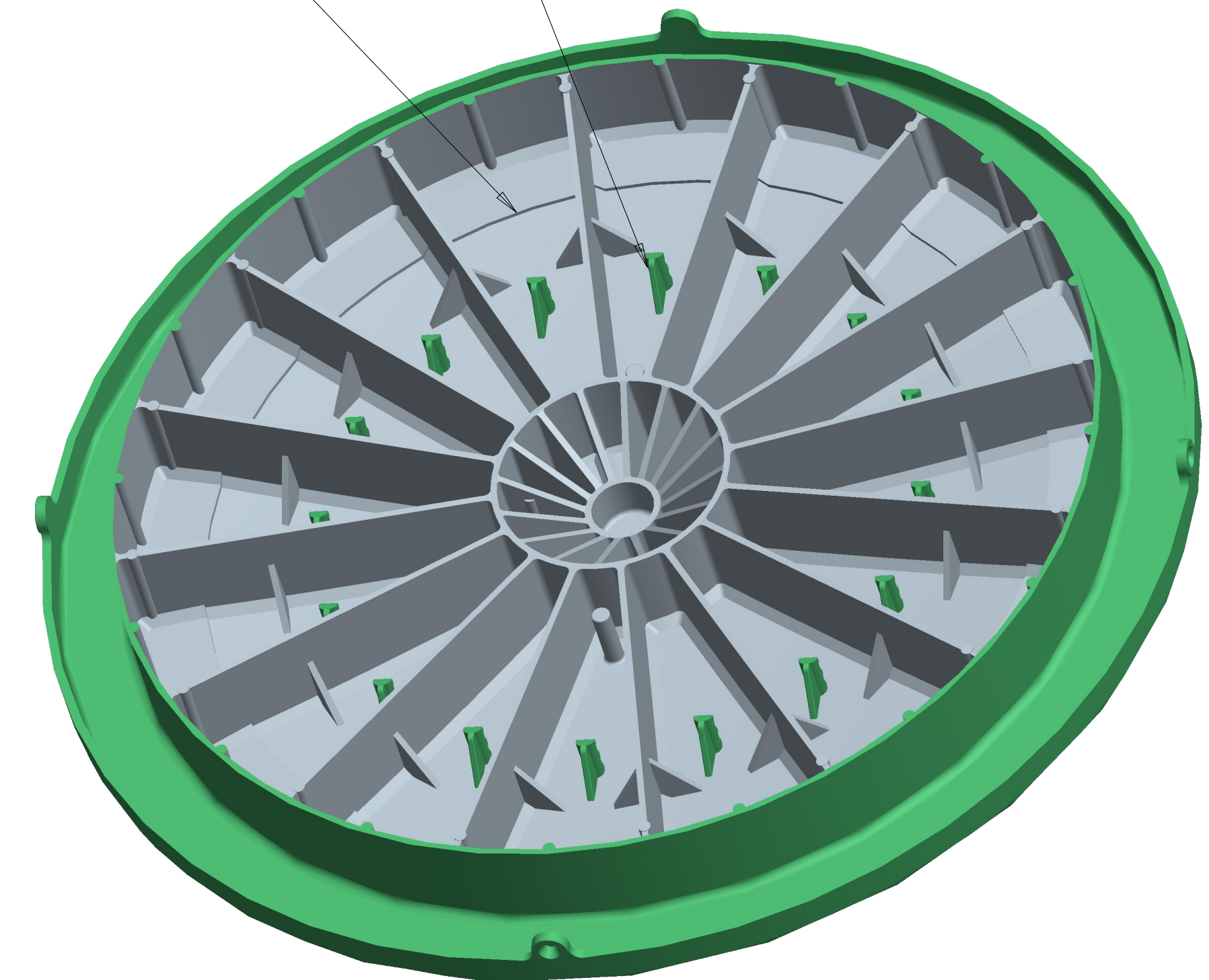
SECTION A-A

PERMANENT FOAMED-IN POLYURETHANE GASKET

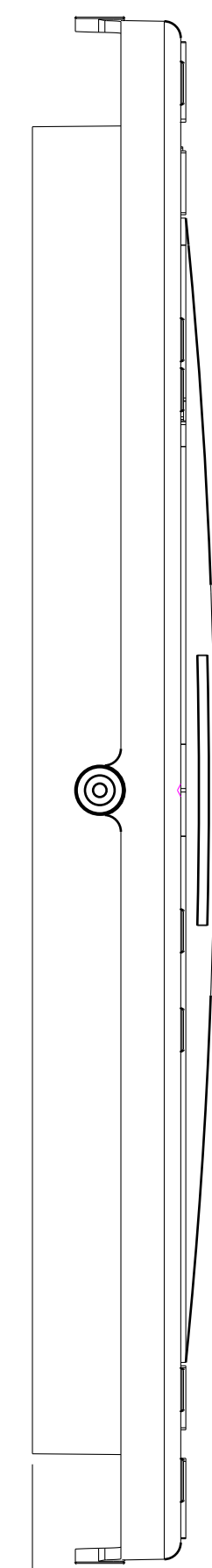
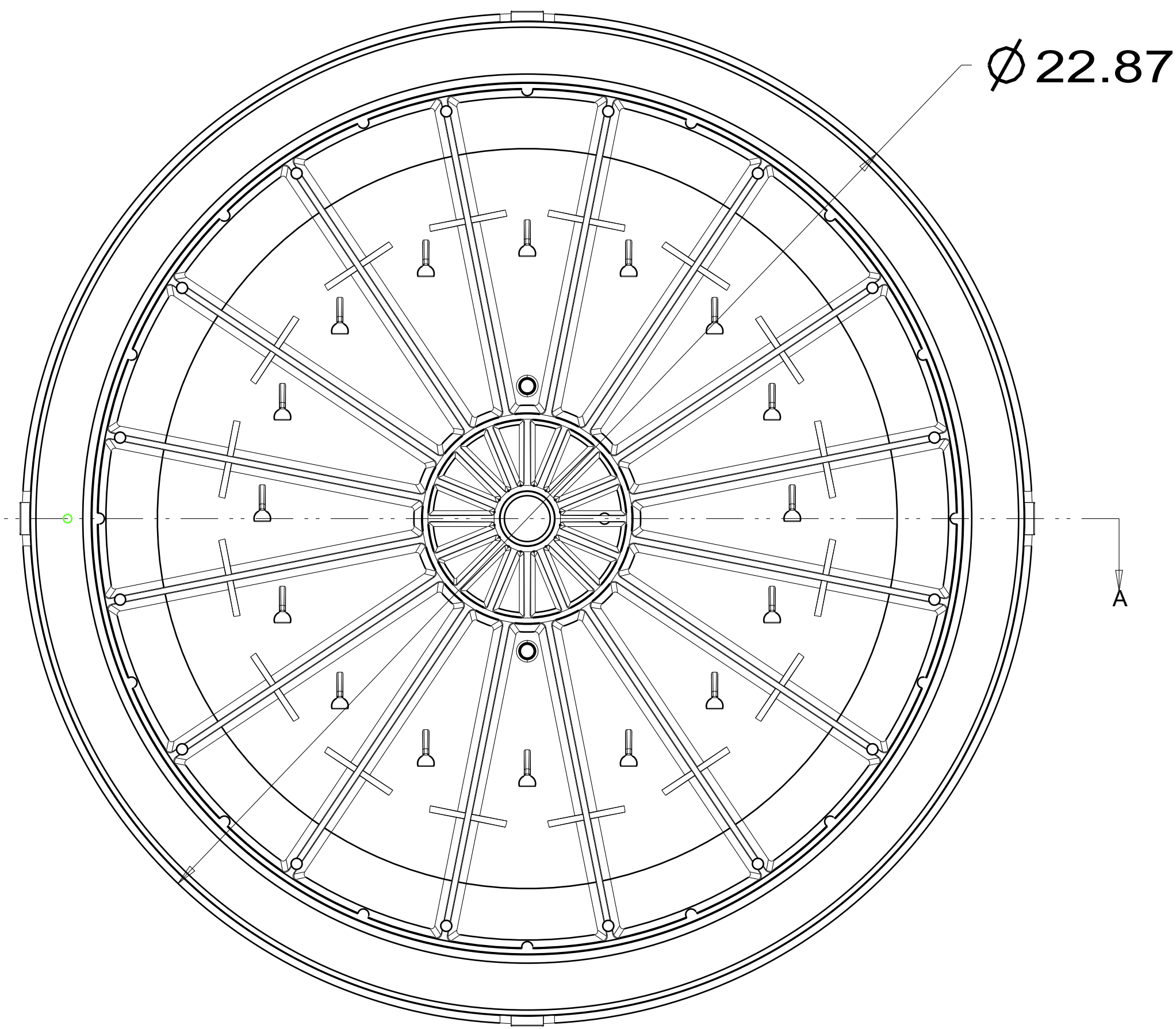
THIS AREA MAY BE FILLED WITH CONCRETE FOR ADDITIONAL WEIGHT



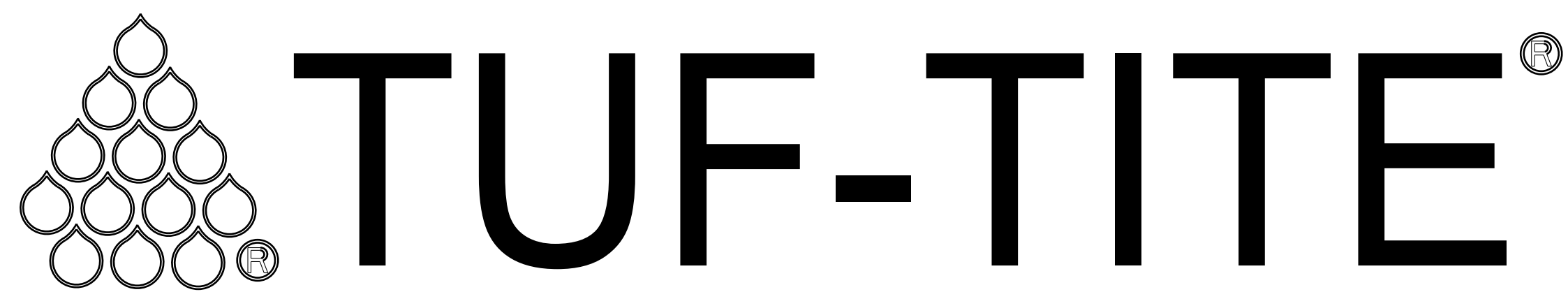
CONCRETE KEEPER™
RETAINING HOOKS



Material: Copolymer Polypropylene
Color: Green



2.73



Drainage and Septic Products



DRAINAGE SOLUTIONS, INC

(317) 346-4110

www.drainagesolutionsinc.com

PART NAME:
20" FLAT LID

PART#:
20-RISL-FLAT